

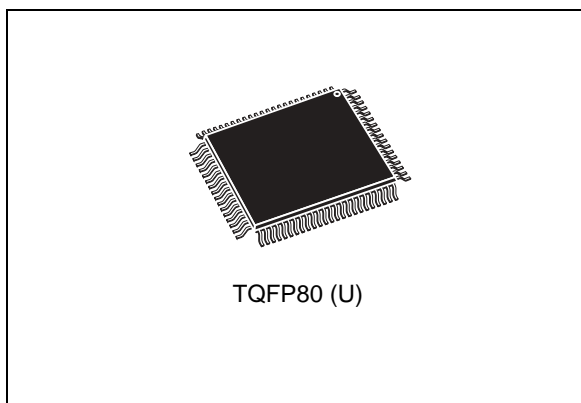


PSD835G2

Flash PSD, 5 V supply, for 8-bit MCUs
4 Mbit + 256 Kbit Dual Flash memories and 64 Kbit SRAM

Features

- Flash in-system programmable (ISP) peripheral for 8-bit MCUs
- dual bank flash memories
 - 4 Mbits of Primary Flash memory (8 uniform sectors, 64 Kbyte)
 - 256 Kbits of Secondary Flash memory with 4 sectors
 - Concurrent operation: READ from one memory while erasing and writing the other
- 64 Kbit of battery-backed SRAM
- 52 reconfigurable I/O ports
- Enhanced JTAG serial port
- PLD with macrocells
 - Over 3000 gates of PLD: CPLD and DPLD
 - CPLD with 16 Output macrocells (OMCs) and 24 Input macrocells (IMCs)
 - DPLD - user defined internal chip select decoding
- 52 individually configurable I/O port pins
They can be used for the following functions:
 - MCU I/Os
 - PLD I/Os
 - Latched MCU address output
 - Special function I/Os.
 - I/O ports may be configured as open-drain outputs.
- In-system programming (ISP) with JTAG
 - Built-in JTAG compliant serial port allows full-chip in-system programmability
 - Efficient manufacturing allow easy product testing and programming
 - Use low cost FlashLINK cable with PC
- Page Register
 - Internal page register that can be used to expand the microcontroller address space by a factor of 256
- Programmable power management
- High endurance:
 - 100 000 Erase/WRITE cycles of Flash memory
 - 1 000 Erase/WRITE cycles of PLD
 - 15 year data retention
- 5 V \pm 10% single supply voltage
- Standby current as low as 50 μ A
- Memory speed
 - 70 ns Flash memory and SRAM access time for V_{CC} = 4.5 V to 5.5 V
 - 90 ns Flash memory and SRAM access time for V_{CC} = 4.5 V to 5.5 V
- ECOPACK® packages



Contents

1	Description	11
1.1	In-system programming (ISP) via JTAG	11
1.1.1	First time programming	11
1.1.2	Inventory build-up of pre-programmed devices	11
1.1.3	Expensive sockets	11
1.2	In-application programming (IAP)	12
1.2.1	Simultaneous READ and WRITE to Flash memory	12
1.2.2	Complex memory mapping	12
1.2.3	Separate Program and Data space	12
1.3	PSDsoft	12
2	PSD architectural overview	19
2.1	Memory	19
2.2	Page Register	19
2.3	PLDs	19
2.4	I/O ports	20
2.5	MCU bus interface	20
2.6	JTAG port	20
2.7	In-system programming (ISP)	20
2.8	In-application re-programming (IAP)	21
2.9	Power management unit (PMU)	21
3	Development system	22
4	PSD register description and address offset	23
5	Register bit definition	25
6	Detailed operation	29
6.1	Memory blocks	29
6.2	Primary Flash memory and Secondary Flash memory description	30
6.3	Memory Block Select signals	30
6.4	Upper and lower block IN MAIN FLASH SECTOR	30

6.5	Ready/ $\overline{\text{Busy}}$ (PE4)	31
6.6	Memory operation	31
7	Instructions	33
7.1	Power-up mode	33
7.2	READ	34
7.3	Read Memory Contents	34
7.4	Read Primary Flash Identifier	34
7.5	Read Memory Sector Protection Status	34
7.6	Read the Erase/Program Status Bits	34
7.7	Data polling flag (DQ7)	35
7.8	Toggle flag (DQ6)	35
7.9	Error flag (DQ5)	36
7.10	Erase time-out flag (DQ3)	36
8	Programming Flash memory	37
8.1	Data polling	37
8.2	Data toggle	39
8.3	Unlock Bypass	40
9	Erasing Flash memory	41
9.1	Flash Bulk Erase	41
9.2	Flash Sector Erase	41
9.3	Suspend Sector Erase	42
9.4	Resume Sector Erase	42
10	Specific features	43
10.1	Flash memory Sector Protect	43
10.2	Reset Flash	43
10.3	Reset ($\overline{\text{RESET}}$) signal	43
11	SRAM	44
12	Sector Select and SRAM Select	45
12.1	Example	45

12.2	Memory Select configuration for MCUs with separate program and data spaces	45
12.3	Configuration modes for MCUs with separate program and data spaces	46
12.3.1	Separate space modes	46
12.3.2	Combined space modes	46
13	Page Register	48
14	Memory ID Registers	49
15	PLDs	49
15.1	The Turbo bit in PSD	49
15.2	Decode PLD (DPLD)	52
15.3	Complex PLD (CPLD)	53
15.4	Output macrocell (OMC)	55
15.5	Product term allocator	56
15.6	Loading and reading the output macrocells (OMC)	56
15.7	The OMC Mask Register	56
15.8	The Output Enable of the OMC	56
15.9	Input macrocells (IMC)	58
15.10	External chip	60
16	MCU bus interface	62
16.1	PSD interface to a multiplexed 8-bit bus	62
16.2	PSD Interface to a non-multiplexed 8-bit bus	63
16.3	MCU bus interface examples	63
16.4	80C31	65
16.5	80C251	66
16.6	80C51XA	69
16.7	68HC11	70
17	I/O ports	71
17.1	General port architecture	71
17.2	Port operating modes	72
17.3	MCU I/O mode	73

17.4	PLD I/O mode	73
17.5	Address Out mode	73
17.6	Address In mode	75
17.7	Data Port mode	75
17.8	Peripheral I/O mode	75
17.9	JTAG in-system programming (ISP)	76
17.10	Port Configuration Registers (PCR)	76
17.11	Control Register	76
17.12	Direction Register	77
17.13	Drive Select Register	77
17.14	Port Data Registers	78
17.15	Data In	78
17.16	Data Out Register	79
17.17	Output macrocells (OMC)	79
17.18	OMC Mask Register	79
17.19	Input macrocells (IMC)	79
17.20	Enable Out	79
17.21	Ports A, B and C – functionality and structure	80
17.22	Port D – functionality and structure	81
17.23	Port E – functionality and structure	82
17.24	Port F – functionality and structure	82
17.25	Port G – functionality and structure	82
18	Power management	84
18.1	Automatic Power-down (APD) unit and Power-down mode	85
18.1.1	Power-down mode	85
18.2	Other power saving options	86
18.3	PLD power management	86
18.3.1	SRAM Standby mode (battery backup)	87
18.4	PSD Chip Select input ($\overline{\text{CS1}}$, PD2)	87
18.5	Input Clock	87
18.6	Input control signals	88
19	Reset timing and device status at reset	89

19.1	Power-Up reset	89
19.2	Warm reset	89
19.3	I/O Pin, Register and PLD status at reset	89
19.4	Reset of Flash memory Erase and Program cycles	89
20	Programming in-circuit using the JTAG/ISP interface	91
20.1	Standard JTAG signals	91
20.2	JTAG extensions	92
20.3	Security and Flash memory protection	92
21	AC/DC parameters	93
22	Maximum rating	96
23	DC and AC parameters	97
24	Package mechanical	113
25	Part numbering	115
Appendix A	Pin assignments	116
26	Revision history	117

List of tables

Table 1.	Pin description	14
Table 2.	PLD I/O	20
Table 3.	JTAG signals on port E	20
Table 4.	Methods of programming different functional blocks of the PSD	21
Table 5.	Register address offset	23
Table 6.	Data-In Registers – Ports A, B, C, D, E, F, G	25
Table 7.	Data-Out Registers – Ports A, B, C, D, E, F, G	25
Table 8.	Direction Registers – Ports A, B, C, D, E, F, G	25
Table 9.	Control Registers – Ports E, F, G	25
Table 10.	Drive Registers – Ports A, B, D, E, G	25
Table 11.	Drive Registers – Ports C, F	25
Table 12.	Enable-Out Registers – Ports A, B, C, F	26
Table 13.	Input Macrocells – Ports A, B, C	26
Table 14.	Output Macrocells A Register	26
Table 15.	Output Macrocells B Register	26
Table 16.	Mask Macrocells A Register	26
Table 17.	Mask Macrocells B Register	26
Table 18.	Flash Memory Protection Register	26
Table 19.	Flash Boot Protection Register	27
Table 20.	JTAG Enable Register	27
Table 21.	Page Register	27
Table 22.	PMMR0 Register	27
Table 23.	PMMR2 Register	27
Table 24.	VM Register	28
Table 25.	Memory_ID0 Register	28
Table 26.	Memory_ID1 Register	28
Table 27.	Memory block size and organization	29
Table 28.	Instructions	32
Table 29.	Status bit	35
Table 30.	DPLD and CPLD inputs	50
Table 31.	Output macrocell port and data bit assignments	55
Table 32.	MCUs and their control signals	62
Table 33.	80C251 configurations	66
Table 34.	Interfacing the PSD with the 80C251, with One READ Input	67
Table 35.	Port operating modes	74
Table 36.	Port operating mode settings	74
Table 37.	I/O port latched address output assignments	75
Table 38.	Port Configuration Registers (PCR)	77
Table 39.	Port pin direction control, Output Enable P.T. not defined	77
Table 40.	Port pin direction control, Output Enable P.T. defined	78
Table 41.	Port direction assignment example	78
Table 42.	Drive Register pin assignment	78
Table 43.	Port Data Registers	79
Table 44.	Power-down mode's effect on ports	85
Table 45.	PSD timing and Standby current during Power-down mode	86
Table 46.	APD counter operation	88
Table 47.	Status during Power-Up reset, warm reset and Power-down mode	90
Table 48.	JTAG port signals	92

Table 49.	Example of PSD typical power calculation at $V_{CC} = 5.0$ V (with Turbo mode On)	94
Table 50.	Example of PSD typical power calculation at $V_{CC} = 5.0$ V (with Turbo mode off)	95
Table 51.	Absolute maximum ratings	96
Table 52.	Operating conditions	97
Table 53.	AC signal letters for PLD timing	97
Table 54.	AC signal behavior symbols for PLD timing	98
Table 55.	AC measurement conditions	98
Table 56.	Capacitance	98
Table 57.	DC characteristics	100
Table 58.	CPLD combinatorial timing	101
Table 59.	CPLD macrocell synchronous clock mode timing	102
Table 60.	CPLD macrocell asynchronous clock mode timing	103
Table 61.	Input macrocell timing	104
Table 62.	READ timing	106
Table 63.	WRITE timing	108
Table 64.	Port F peripheral data mode read timing	109
Table 65.	Port F peripheral data mode Write timing	110
Table 66.	Program, Write and Erase times	110
Table 67.	Power-down timing	111
Table 68.	Reset ($\overline{\text{RESET}}$) timing	111
Table 69.	V_{STBYON} timing	111
Table 70.	ISC timing	112
Table 71.	TQFP80 - 80 lead Thin, Quad, Flat package mechanical data	114
Table 72.	Ordering information scheme	115
Table 73.	PSD835G2 TQFP80	116
Table 74.	Document revision history	117

List of figures

Figure 1.	TQFP80 connections	13
Figure 2.	PSD block diagram	18
Figure 3.	PSDsoft development tool	22
Figure 4.	Example for Flash Sector Chip Select FS0	31
Figure 5.	Selecting the upper or lower block in a Primary Flash memory sector	31
Figure 6.	Data polling flowchart	38
Figure 7.	Data toggle flowchart	39
Figure 8.	Priority level of memory and I/O components	46
Figure 9.	8031 memory modules – separate space	46
Figure 10.	8031 memory modules – combined space	47
Figure 11.	Page Register	48
Figure 12.	PLD diagram	51
Figure 13.	DPLD logic array	52
Figure 14.	Macrocell and I/O port	54
Figure 15.	CPLD output macrocell	57
Figure 16.	Input macrocell	59
Figure 17.	Handshaking communication using input macrocells	60
Figure 18.	External Chip Select	61
Figure 19.	An example of a typical 8-bit multiplexed bus interface	63
Figure 20.	An example of a typical 8-bit non-multiplexed bus interface	64
Figure 21.	Interfacing the PSD with an 80C31	65
Figure 22.	Interfacing the PSD with the 80C251, with RD and PSEN inputs	68
Figure 23.	Interfacing the PSD with the 80C51X, 8-bit data bus	69
Figure 24.	Interfacing the PSD with a 68HC11	70
Figure 25.	General I/O port architecture	72
Figure 26.	Peripheral I/O mode	76
Figure 27.	Port A, B and C structure	80
Figure 28.	Port D structure	81
Figure 29.	Port E, F, G structure	83
Figure 30.	APD unit	86
Figure 31.	Enable Power-down flowchart	88
Figure 32.	Power-Up and warm reset (RESET) timing	89
Figure 33.	PLD ICC /frequency consumption	93
Figure 34.	AC measurement I/O waveform	98
Figure 35.	AC measurement load circuit	98
Figure 36.	Switching waveforms – key	99
Figure 37.	Input to Output Disable / Enable	101
Figure 38.	Combinatorial timing – PLD	101
Figure 39.	Synchronous clock mode timing – PLD	103
Figure 40.	Asynchronous Reset / Preset	104
Figure 41.	Asynchronous Clock mode timing (product term clock)	104
Figure 42.	Input macrocell timing (product term clock)	104
Figure 43.	READ timing	105
Figure 44.	WRITE timing	107
Figure 45.	Peripheral I/O Read timing	109
Figure 46.	Peripheral I/O Write timing	110
Figure 47.	Reset (RESET) timing	111
Figure 48.	ISC timing	112

Figure 49. TQFP80 - 80 lead Thin, Quad, Flat package outline 113

1 Description

The PSD family of memory systems for microcontrollers (MCUs) brings In-System-Programmability (ISP) to Flash memory and programmable logic. The result is a simple and flexible solution for embedded designs. PSD devices combine many of the peripheral functions found in MCU based applications.

The CPLD in the PSD devices features an optimized macrocell logic architecture. The PSD macrocell was created to address the unique requirements of embedded system designs. It allows direct connection between the system address/data bus, and the internal PSD registers, to simplify communication between the MCU and other supporting devices.

The PSD family offers two methods to program the PSD Flash memory while the PSD is soldered to the circuit board: In-System Programming (ISP) via JTAG, and In-Application Programming (IAP).

1.1 In-system programming (ISP) via JTAG

An IEEE 1149.1 compliant JTAG In-System Programming (ISP) interface is included on the PSD enabling the entire device (Flash memories, PLD, configuration) to be rapidly programmed while soldered to the circuit board. This requires no MCU participation, which means the PSD can be programmed anytime, even when completely blank.

The innovative JTAG interface to Flash memories is an industry first, solving key problems faced by designers and manufacturing houses, such as:

1.1.1 First time programming

How do I get firmware into the Flash memory the very first time? JTAG is the answer. Program the blank PSD with no MCU involvement.

1.1.2 Inventory build-up of pre-programmed devices

How do I maintain an accurate count of pre-programmed Flash memory and PLD devices based on customer demand? How many and what version? JTAG is the answer. Build your hardware with blank PSDs soldered directly to the board and then custom program just before they are shipped to the customer. No more labels on chips, and no more wasted inventory.

1.1.3 Expensive sockets

How do I eliminate the need for expensive and unreliable sockets? JTAG is the answer. Solder the PSD directly to the circuit board. Program first time and subsequent times with JTAG. No need to handle devices and bend the fragile leads.

1.2 In-application programming (IAP)

Two independent Flash memory arrays are included so that the MCU can execute code from one while erasing and programming the other. Robust product firmware updates in the field are possible over any communications channel (CAN, Ethernet, UART, J1850, etc.) using this unique architecture. Designers are relieved of these problems:

1.2.1 Simultaneous READ and WRITE to Flash memory

How can the MCU program the same memory from which it is executing code? It cannot. The PSD allows the MCU to operate the two Flash memory blocks concurrently, reading code from one while erasing and programming the other during IAP.

1.2.2 Complex memory mapping

How can I map these two memories efficiently? A programmable Decode PLD (DPLD) is embedded in the PSD. The concurrent PSD memories can be mapped anywhere in MCU address space, segment by segment with extremely high address resolution. As an option, the secondary Flash memory can be swapped out of the system memory map when IAP is complete. A built-in page register breaks the MCU address limit.

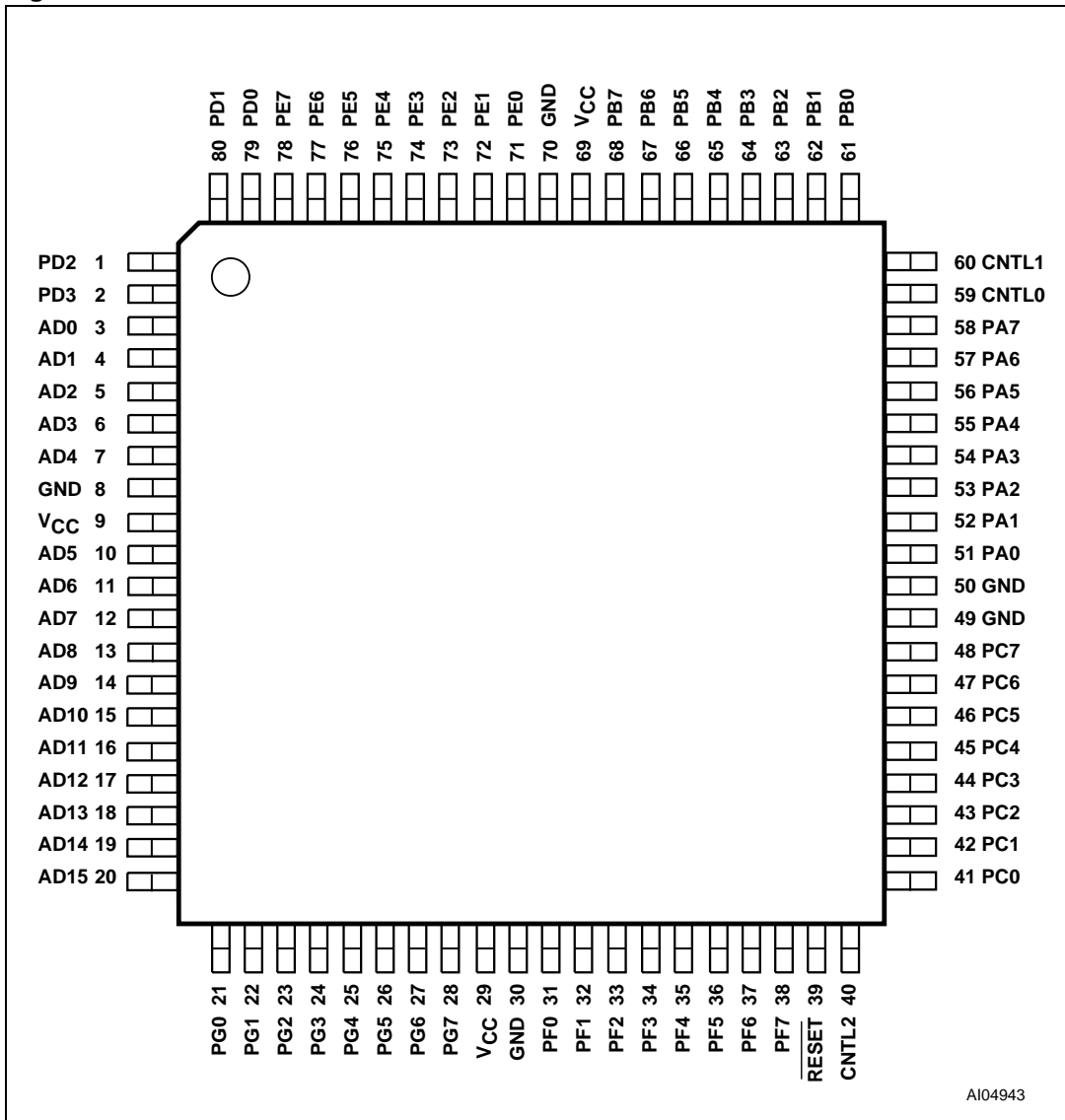
1.2.3 Separate Program and Data space

How can I write to Flash memory while it resides in Program space during field firmware updates? My 80C51 will not allow it. The PSD provides means to reclassify Flash memory as Data space during IAP, then back to Program space when complete.

1.3 PSDsoft

PSDsoft, a software development tool from ST, guides you through the design process step-by-step making it possible to complete an embedded MCU design capable of ISP/IAP in just hours. Select your MCU and PSDsoft takes you through the remainder of the design with point and click entry, covering PSD selection, pin definitions, programmable logic inputs and outputs, MCU memory map definition, ANSI-C code generation for your MCU, and merging your MCU firmware with the PSD design. When complete, two different device programmers are supported directly from PSDsoft: FlashLINK (JTAG) and PSDpro.

Figure 1. TQFP80 connections



AI04943

Table 1. Pin description

Pin name	Pin	Type	Description
ADIO0-7	3-7-10-12	I/O	<p>This is the lower Address/Data port. Connect your MCU address or address/data bus according to the following rules:</p> <p>If your MCU has a multiplexed address/data bus where the data is multiplexed with the lower address bits, connect AD0-AD7 to this port.</p> <p>If your MCU does not have a multiplexed address/data bus, connect A0-A7 to this port.</p> <p>If you are using an 80C51XA in burst mode, connect A4/D0 through A11/D7 to this port.</p> <p>ALE or AS latches the address. The PSD drives data out only if the READ signal is active and one of the PSD functional blocks was selected. The addresses on this port are passed to the PLDs.</p>
ADIO8-15	13-20	I/O	<p>This is the upper Address/Data port. Connect your MCU address or address/data bus according to the following rules:</p> <p>If your MCU has a multiplexed address/data bus where the data is multiplexed with the lower address bits, connect A8-A15 to this port.</p> <p>If your MCU does not have a multiplexed address/data bus, connect A8-A15 to this port.</p> <p>If you are using an 80C251 in page mode, connect AD8-AD15 to this port.</p> <p>If you are using an 80C51XA in burst mode, connect A12-A19 to this port.</p> <p>ALE or AS latches the address. The PSD drives data out only if the READ signal is active and one of the PSD functional blocks was selected. The addresses on this port are passed to the PLDs.</p>
CNTL0	59	I	<p>The following control signals can be connected to this port, based on your MCU:</p> <p>\overline{WR} – active Low Write Strobe input.</p> <p>$R_{\overline{W}}$ – active High READ/active Low WRITE input.</p> <p>This port is connected to the PLDs. Therefore, these signals can be used in decode and other logic equations.</p>
CNTL1	60	I	<p>The following control signals can be connected to this port, based on your MCU:</p> <p>\overline{RD} – active Low Read Strobe input.</p> <p>E – E clock input.</p> <p>\overline{DS} – active Low Data Strobe input.</p> <p>\overline{PSEN} – connect \overline{PSEN} to this port when it is being used as an active Low READ signal. For example, when the 80C251 outputs more than 16 address bits, \overline{PSEN} is actually the READ signal.</p> <p>This port is connected to the PLDs. Therefore, these signals can be used in decode and other logic equations.</p>
CNTL2	40	I	<p>This port can be used to input the \overline{PSEN} (Program Select Enable) signal from any MCU that uses this signal for code exclusively. If your MCU does not output a Program Select Enable signal, this port can be used as a generic input. This port is connected to the PLDs as input.</p>
Reset	39	I	<p>Active Low input. Resets I/O Ports, PLD macrocells and some of the Configuration Registers and JTAG registers. Must be Low at Power-up. Reset also aborts the Flash programming/erase cycle that is in progress.</p>

Table 1. Pin description (continued)

Pin name	Pin	Type	Description
PA0 PA1 PA2 PA3 PA4 PA5 PA6 PA7	58 57 56 55 54 53 52 51	I/O CMOS or Open Drain	These pins make up Port A. These port pins are configurable and can have the following functions: MCU I/O – write to or read from a standard output or input port. CPLD macrocell (McellA0-7) outputs. Inputs to the PLDs. Latched, transparent or registered PLD input.
PB0 PB1 PB2 PB3 PB4 PB5 PB6 PB7	68 67 66 65 64 63 62 61	I/O CMOS or Open Drain	These pins make up Port B. These port pins are configurable and can have the following functions: MCU I/O – write to or read from a standard output or input port. CPLD macrocell (McellB0-7) output. Inputs to the PLDs. Latched, transparent or registered PLD input.
PC0 PC1 PC2 PC3 PC4 PC5 PC6 PC7	48 47 46 45 44 43 42 41	I/O CMOS or Open Drain	These pins make up Port C. These port pins are configurable and can have the following functions: MCU I/O – write to or read from a standard output or input port. External Chip Select (ECS0-7) output. Latched, transparent or registered PLD input.
PD0	79	I/O CMOS or Open Drain	PD0 pin of Port D. This port pin can be configured to have the following functions: ALE/AS input latches addresses on ADIO0-ADIO15 pins. AS input latches addresses on ADIO0-ADIO15 pins on the rising edge. Input to the PLDs. Transparent PLD input.
PD1	80	I/O CMOS or Open Drain	PD1 pin of Port D. This port pin can be configured to have the following functions: MCU I/O – write to or read from a standard output or input port. Input to the PLDs. CLKIN – clock input to the CPLD macrocells, the APD Unit's Power-down counter, and the CPLD AND Array.
PD2	1	I/O CMOS or Open Drain	PD2 pin of Port D. This port pin can be configured to have the following functions: MCU I/O – write to or read from a standard output or input port. Input to the PLDs. PSD Chip Select Input (CSI). When Low, the MCU can access the PSD memory and I/O. When High, the PSD memory blocks are disabled to conserve power. The trailing edge of CSI can be used to get the PSD out of power-down mode.
PD3	2	I/O CMOS or Open Drain	PD3 pin of Port D. This port pin can be configured to have the following functions: MCU I/O – write to or read from a standard output or input port. Input to the PLDs.

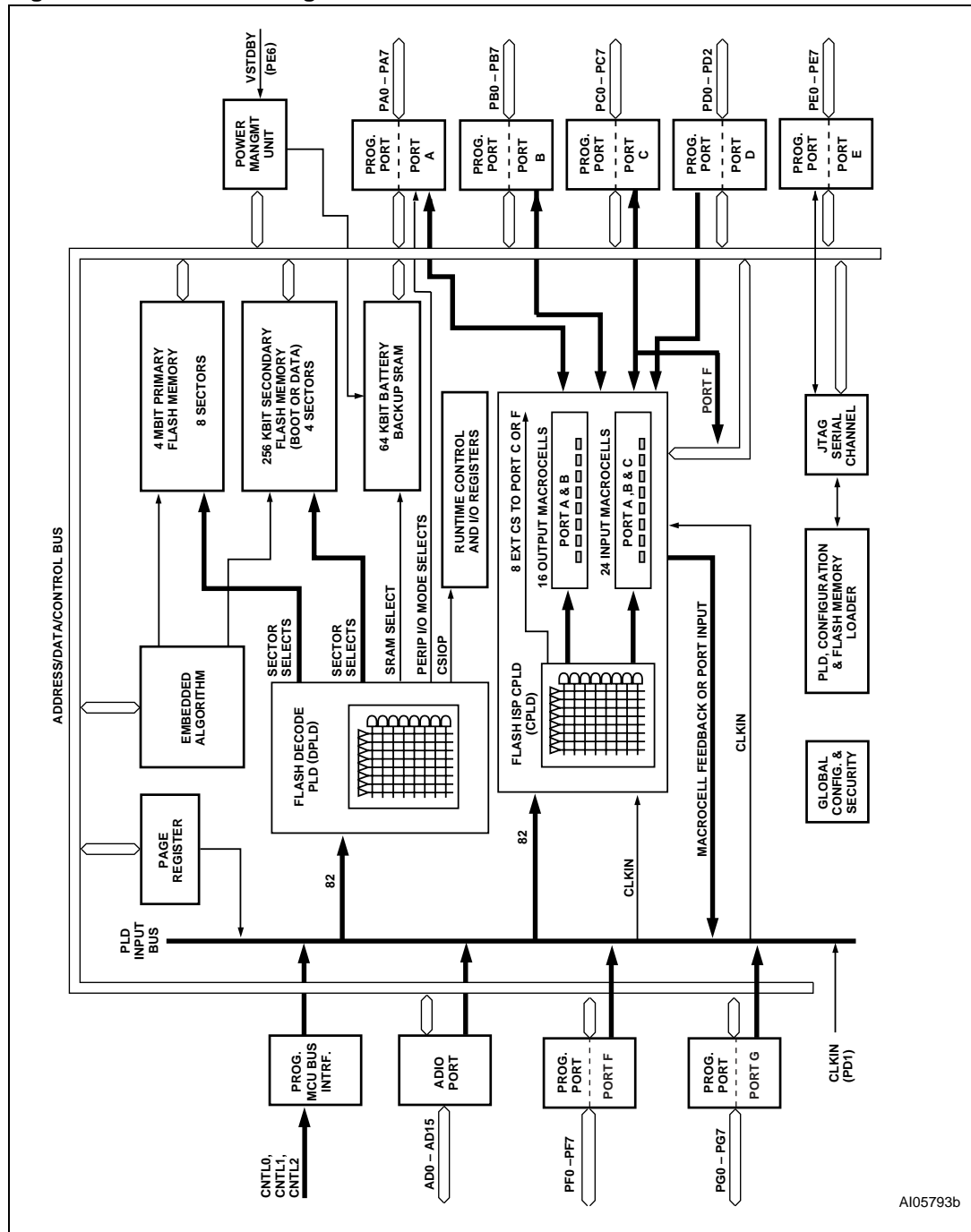
Table 1. Pin description (continued)

Pin name	Pin	Type	Description
PE0	71	I/O CMOS or Open Drain	PE0 pin of Port E. This port pin can be configured to have the following functions: MCU I/O – write to or read from a standard output or input port. Latched address output. TMS input for JTAG/ISP interface.
PE1	72	I/O CMOS or Open Drain	PE1 pin of Port E. This port pin can be configured to have the following functions: MCU I/O – write to or read from a standard output or input port. Latched address output. TCK input for JTAG/ISP interface (Schmidt Trigger).
PE2	73	I/O CMOS or Open Drain	PE2 pin of Port E. This port pin can be configured to have the following functions: MCU I/O – write to or read from a standard output or input port. Latched address output. TDI input for JTAG/ISP interface.
PE3	74	I/O CMOS or Open Drain	PE3 pin of Port E. This port pin can be configured to have the following functions: MCU I/O – write to or read from a standard output or input port. Latched address output. TDO input for JTAG/ISP interface.
PE4	75	I/O CMOS or Open Drain	PE4 pin of Port E. This port pin can be configured to have the following functions: MCU I/O – write to or read from a standard output or input port. Latched address output. TSTAT input for the ISP interface. Ready/Busy for in-circuit Parallel Programming.
PE5	76	I/O CMOS or Open Drain	PE5 pin of Port E. This port pin can be configured to have the following functions: MCU I/O – write to or read from a standard output or input port. Latched address output. TERR active Low input for ISP interface.
PE6	77	I/O CMOS or Open Drain	PE6 pin of Port E. This port pin can be configured to have the following functions: MCU I/O – write to or read from a standard output or input port. Latched address output. V _{STBY} SRAM standby voltage input for battery backup SRAM.
PE7	78	I/O CMOS or Open Drain	PE7 pin of Port E. This port pin can be configured to have the following functions: MCU I/O – write to or read from a standard output or input port. Latched address output. V _{BATON} battery backup indicator output. Goes High when power is drawn from an external battery.
PF0-PF7	31-38	I/O CMOS or Open Drain	PF0 through PF7 pins of Port F. This port pins can be configured to have the following functions: MCU I/O – write to or read from a standard output or input port. Input to the PLDs. Latched address outputs. As address A0-A3 inputs in 80C51XA mode. As data bus port (D07) in non-multiplexed bus configuration.

Table 1. Pin description (continued)

Pin name	Pin	Type	Description
PG0-PG7	8, 30, 49, 50, 70	I/O CMOS or Open Drain	PG0 through PG7 pins of Port G. This port pins can be configured to have the following functions: MCU I/O – write to or read from a standard output or input port. Latched address outputs.
V _{CC}	9, 29, 69		Supply Voltage
GND	8, 30, 49, 50, 70		Ground pins

Figure 2. PSD block diagram



AI05793b

2 PSD architectural overview

PSD devices contain several major functional blocks. [Figure 2. on page 18](#) shows the architecture of the PSD device family. The functions of each block are described briefly in the following sections. Many of the blocks perform multiple functions and are user configurable.

2.1 Memory

Each of the memory blocks is briefly discussed in the following paragraphs. A more detailed discussion can be found in the section entitled [Memory blocks on page 29](#). The 4 Mbit (512K x 8) Flash memory is the primary memory of the PSD. It is divided into 8 equally-sized sectors that are individually selectable.

The 256 Kbit (32K x 8) secondary Flash memory is divided into 4 equally-sized sectors. Each sector is individually selectable.

The 64 Kbit SRAM is intended for use as a scratch-pad memory or as an extension to the MCU SRAM. If an external battery is connected to Voltage Standby (V_{STBY} , PC2), data is retained in the event of power failure.

Each sector of memory can be located in a different address space as defined by the user. The access times for all memory types includes the address latching and DPLD decoding time.

2.2 Page Register

The 8-bit Page Register expands the address range of the MCU by up to 256 times. The paged address can be used as part of the address space to access external memory and peripherals, or internal memory and I/O. The Page Register can also be used to change the address mapping of sectors of the Flash memories into different memory spaces for IAP.

2.3 PLDs

The device contains two PLDs, the Decode PLD (DPLD) and the Complex PLD (CPLD), as shown in [Table 2](#), each optimized for a different function. The functional partitioning of the PLDs reduces power consumption, optimizes cost/performance, and eases design entry.

The DPLD is used to decode addresses and to generate Sector Select signals for the PSD internal memory and registers. The CPLD can implement user-defined logic functions. The DPLD has combinatorial outputs. The CPLD has 16 Output Macrocells (OMC) and 8 combinatorial outputs. The PSD also has 24 Input Macrocells (IMC) that can be configured as inputs to the PLDs. The PLDs receive their inputs from the PLD Input Bus and are differentiated by their output destinations, number of product terms, and macrocells.

The PLDs consume minimal power by using Power-Management design techniques. The speed and power consumption of the PLD is controlled by the Turbo Bit in PMMR0 and other bits in the PMMR2. These registers are set by the MCU at run-time. There is a slight penalty to PLD propagation time when invoking the power management features.

2.4 I/O ports

The PSD has 52 I/O pins distributed over the seven ports (Port A, B, C, D, E, F and G). Each I/O pin can be individually configured for different functions. Ports can be configured as standard MCU I/O ports, PLD I/O, or latched address outputs for MCUs using multiplexed address/data buses.

The JTAG pins can be enabled on Port E for In-System Programming (ISP). Ports F and G can also be configured as data ports for a non-multiplexed bus.

Ports A and B can also be configured as a data port for a non-multiplexed bus.

2.5 MCU bus interface

PSD interfaces easily with most 8-bit MCUs that have either multiplexed or non-multiplexed address/data buses. The device is configured to respond to the MCU's control signals, which are also used as inputs to the PLDs. For examples, please see [MCU bus interface examples on page 63](#).

Table 2. PLD I/O

Name	Inputs	Outputs	Product Terms
Decode PLD (DPLD)	82	17	43
Complex PLD (CPLD)	82	24	150

Table 3. JTAG signals on port E

Port E pins	JTAG signal
PE0	TMS
PE1	TCK
PE2	TDI
PE3	TDO
PE4	TSTAT
PE5	TERR

2.6 JTAG port

In-System Programming (ISP) can be performed through the JTAG signals on Port E. This serial interface allows complete programming of the entire PSD device. A blank device can be completely programmed. The JTAG signals (TMS, TCK, TSTAT, $\overline{\text{TERR}}$, TDI, TDO) can be multiplexed with other functions on Port E. [Table 3. on page 20](#) indicates the JTAG pin assignments.

2.7 In-system programming (ISP)

Using the JTAG signals on Port E, the entire PSD device (memory, logic, configuration) can be programmed or erased without the use of the MCU.

2.8 In-application re-programming (IAP)

The primary Flash memory can also be programmed in-system by the MCU executing the programming algorithms out of the secondary memory, or SRAM. Since this is a sizable separate block, the application can also continue to operate. The secondary memory can be programmed the same way by executing out of the primary Flash memory. The PLD or other PSD Configuration blocks can be programmed through the JTAG port or a device programmer. Table 4 indicates which programming methods can program different functional blocks of the PSD.

2.9 Power management unit (PMU)

The Power Management Unit (PMU) gives the user control of the power consumption on selected functional blocks based on system requirements. The PMU includes an Automatic Power-down (APD) Unit that turns off device functions during MCU inactivity. The APD Unit has a Power-down mode that helps reduce power consumption.

The PSD also has some bits that are configured at run-time by the MCU to reduce power consumption of the CPLD. The Turbo Bit in PMMR0 can be reset to '0' and the CPLD latches its outputs and goes to sleep until the next transition on its inputs.

Additionally, bits in PMMR2 can be set by the MCU to block signals from entering the CPLD to reduce power consumption. Please see [Power management on page 84](#) for more details.

Table 4. Methods of programming different functional blocks of the PSD

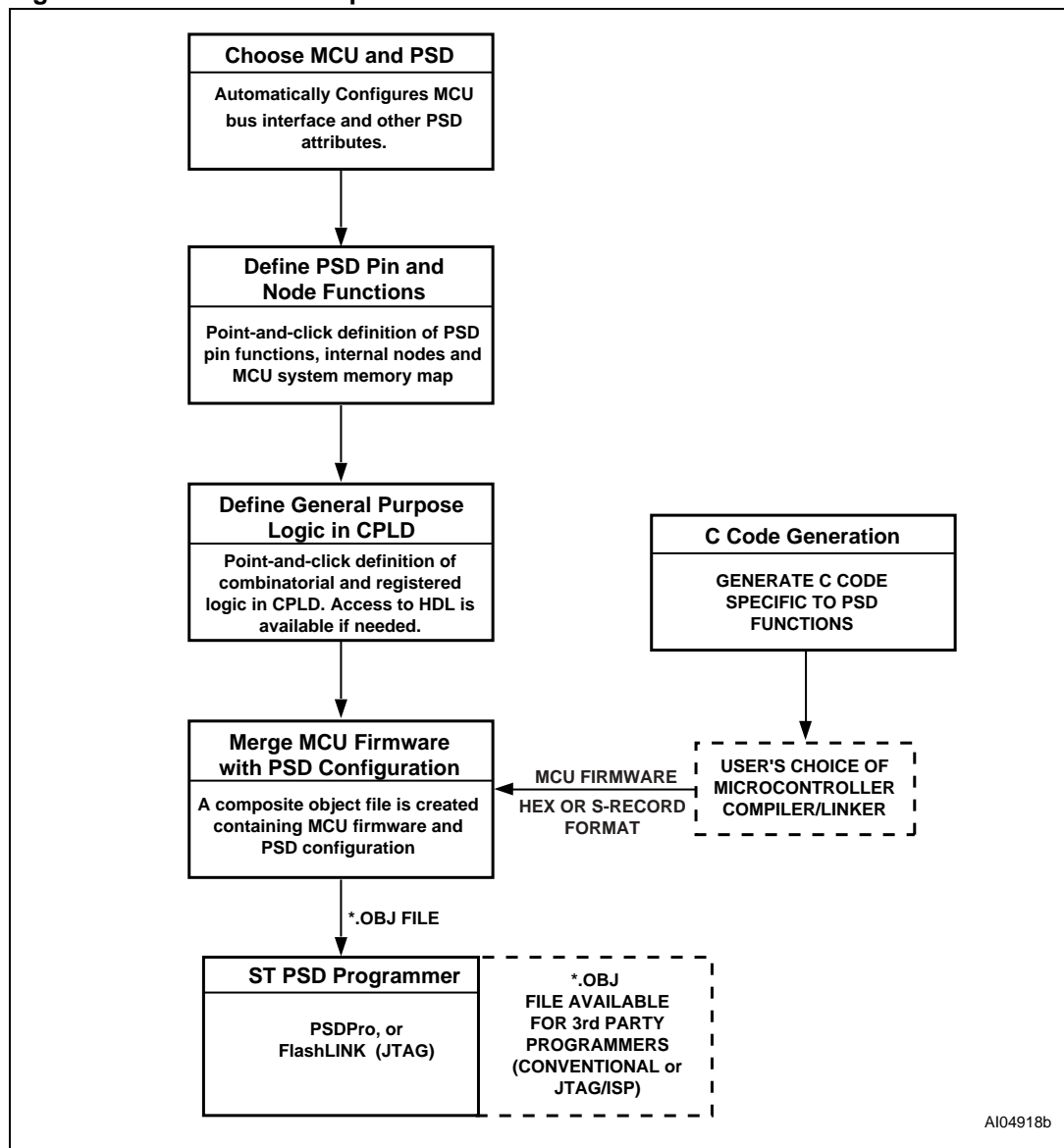
Functional Block	JTAG/ISP	Device programmer	IAP
Primary Flash memory	Yes	Yes	Yes
Secondary Flash memory	Yes	Yes	Yes
PLD Array (DPLD and CPLD)	Yes	Yes	No
PSD configuration	Yes	Yes	No

3 Development system

The PSD family is supported by PSDsoft, a Windows-based (95, 98, NT) software development tool. A PSD design is quickly and easily produced in a point-and-click environment. The designer does not need to enter Hardware Description Language (HDL) equations, unless desired, to define PSD pin functions and memory map information. The general design flow is shown in Figure 3. PSDsoft is available from our web site (the address is given on the back page of this data sheet) or other distribution channels.

PSDsoft directly supports two low cost device programmers from ST: PSDpro and FlashLINK (JTAG). Both of these programmers may be purchased through your local distributor/representative, or directly from our web site using a credit card. The PSD is also supported by third party device programmers. See our web site for the current list.

Figure 3. PSDsoft development tool



4 PSD register description and address offset

Table 5 shows the offset addresses to the PSD registers relative to the CSIOP base address. The CSIOP space is the 256 Bytes of address that is allocated by the user to the internal PSD registers. Table 5 provides brief descriptions of the registers in CSIOP space. The following section gives a more detailed description.

Table 5. Register address offset

Register name	Port A	Port B	Port C	Port D	Port E	Port F	Port G	Other ⁽¹⁾	Description
Data In	00	01	10	11	30	40	41		Reads Port pin as input, MCU I/O input mode
Control					32	42	43		Selects mode between MCU I/O or Address Out
Data Out	04	05	14	15	34	44	45		Stores data for output to Port pins, MCU I/O output mode
Direction	06	07	14	15	36	46	47		Configures Port pin as input or output
Drive Select	08	09	18	19	38	48	49		Configures Port pins as either CMOS or Open Drain on some pins, while selecting high slew rate on other pins.
Input macrocell	0A	0B		1A					Reads Input Macrocells
Enable Out	0C	0D	1C	1B		4C			Reads the status of the output enable to the I/O Port driver
Output macrocells A	20								READ – reads output of macrocells A WRITE – loads macrocell flip-flops
Output macrocells B		21							READ – reads output of macrocells B WRITE – loads macrocell flip-flops
Mask macrocells A	22								Blocks writing to the Output Macrocells A
Mask macrocells B		23							Blocks writing to the Output Macrocells B
Primary Flash Protection								C0	Read only – Primary Flash Sector Protection
Secondary Flash memory Protection								C2	Read only – PSD Security and Secondary Flash memory Sector Protection
JTAG Enable								C7	Enables JTAG Port

Table 5. Register address offset (continued)

Register name	Port A	Port B	Port C	Port D	Port E	Port F	Port G	Other(1)	Description
PMMR0								B0	Power Management Register 0
PMMR2								B4	Power Management Register 2
Page								E0	Page Register
VM								E2	Places PSD memory areas in Program and/or Data space on an individual basis.
Memory_ID0								F0	Read only – Primary Flash memory and SRAM size
Memory_ID1								F1	Read only – Secondary Flash memory type and size

1. Other registers that are not part of the I/O ports.

5 Register bit definition

All the registers of the PSD are included here, for reference. Detailed descriptions of these registers can be found in the following sections.

Table 6. Data-In Registers – Ports A, B, C, D, E, F, G⁽¹⁾

Bit 7	Bit 6	Bit 5	Bit 4	Bit 3	Bit 2	Bit 1	Bit 0
Port pin 7	Port pin 6	Port pin 5	Port pin 4	Port pin 3	Port pin 2	Port pin 1	Port pin 0

1. Bit Definitions (Read only registers):
Read Port pin status when Port is in MCU I/O input mode.

Table 7. Data-Out Registers – Ports A, B, C, D, E, F, G⁽¹⁾

Bit 7	Bit 6	Bit 5	Bit 4	Bit 3	Bit 2	Bit 1	Bit 0
Port pin 7	Port pin 6	Port pin 5	Port pin 4	Port pin 3	Port pin 2	Port pin 1	Port pin 0

1. Bit Definitions:
Latched data for output to Port pin when pin is configured in MCU I/O output mode.

Table 8. Direction Registers – Ports A, B, C, D, E, F, G⁽¹⁾

Bit 7	Bit 6	Bit 5	Bit 4	Bit 3	Bit 2	Bit 1	Bit 0
Port pin 7	Port pin 6	Port pin 5	Port pin 4	Port pin 3	Port pin 2	Port pin 1	Port pin 0

1. Bit Definitions:
Port pin <i> 0 = Port pin <i> is configured in Input mode (default).
Port pin <i> 1 = Port pin <i> is configured in Output mode.

Table 9. Control Registers – Ports E, F, G⁽¹⁾

Bit 7	Bit 6	Bit 5	Bit 4	Bit 3	Bit 2	Bit 1	Bit 0
Port pin 7	Port pin 6	Port pin 5	Port pin 4	Port pin 3	Port pin 2	Port pin 1	Port pin 0

1. Bit Definitions:
Port pin <i> 0 = Port pin <i> is configured in MCU I/O mode (default).
Port pin <i> 1 = Port pin <i> is configured in Latched Address Out mode.

Table 10. Drive Registers – Ports A, B, D, E, G⁽¹⁾

Bit 7	Bit 6	Bit 5	Bit 4	Bit 3	Bit 2	Bit 1	Bit 0
Port pin 7	Port pin 6	Port pin 5	Port pin 4	Port pin 3	Port pin 2	Port pin 1	Port pin 0

1. Bit Definitions:
Port pin <i> 0 = Port pin <i> is configured for CMOS Output driver (default).
Port pin <i> 1 = Port pin <i> is configured for Open Drain output driver.

Table 11. Drive Registers – Ports C, F⁽¹⁾

Bit 7	Bit 6	Bit 5	Bit 4	Bit 3	Bit 2	Bit 1	Bit 0
Port pin 7	Port pin 6	Port pin 5	Port pin 4	Port pin 3	Port pin 2	Port pin 1	Port pin 0

1. Bit Definitions:
Port pin <i> 0 = Port pin <i> is configured for CMOS Output driver (default).
Port pin <i> 1 = Port pin <i> is configured in Slew Rate mode.

Table 12. Enable-Out Registers – Ports A, B, C, F⁽¹⁾

Bit 7	Bit 6	Bit 5	Bit 4	Bit 3	Bit 2	Bit 1	Bit 0
Port pin 7	Port pin 6	Port pin 5	Port pin 4	Port pin 3	Port pin 2	Port pin 1	Port pin 0

- Bit Definitions (Read only registers):
Port pin <i>0</i> = Port pin <i>0</i> is in tri-state driver (default).
Port pin <i>1</i> = Port pin <i>1</i> is enabled.

Table 13. Input Macrocells – Ports A, B, C⁽¹⁾

Bit 7	Bit 6	Bit 5	Bit 4	Bit 3	Bit 2	Bit 1	Bit 0
IMcell 7	IMcell 6	IMcell 5	IMcell 4	IMcell 3	IMcell 2	IMcell 1	IMcell 0

- Bit Definitions (Read only registers):
 Read Input Macrocell (IMC7-IMC0) status on Ports A, B and C.

Table 14. Output Macrocells A Register⁽¹⁾

Bit 7	Bit 6	Bit 5	Bit 4	Bit 3	Bit 2	Bit 1	Bit 0
Mcella 7	Mcella 6	Mcella 5	Mcella 4	Mcella 3	Mcella 2	Mcella 1	Mcella 0

- Bit Definitions:
Write Register: Load MCellA7-MCellA0 with '0' or '1.'
Read Register: Read MCellA7-MCellA0 output status.

Table 15. Output Macrocells B Register⁽¹⁾

Bit 7	Bit 6	Bit 5	Bit 4	Bit 3	Bit 2	Bit 1	Bit 0
Mcellb 7	Mcellb 6	Mcellb 5	Mcellb 4	Mcellb 3	Mcellb 2	Mcellb 1	Mcellb 0

- Bit Definitions:
Write Register: Load MCellB7-MCellB0 with '0' or '1.'
Read Register: Read MCellB7-MCellB0 output status.

Table 16. Mask Macrocells A Register⁽¹⁾

Bit 7	Bit 6	Bit 5	Bit 4	Bit 3	Bit 2	Bit 1	Bit 0
Mcella 7	Mcella 6	Mcella 5	Mcella 4	Mcella 3	Mcella 2	Mcella 1	Mcella 0

- Bit Definitions:
McellA<i>0-7</i>_Prot 0 = Allow MCellA<i>0-7</i> flip-flop to be loaded by MCU (default).
McellA<i>0-7</i>_Prot 1 = Prevent MCellA<i>0-7</i> flip-flop from being loaded by MCU.

Table 17. Mask Macrocells B Register⁽¹⁾

Bit 7	Bit 6	Bit 5	Bit 4	Bit 3	Bit 2	Bit 1	Bit 0
Mcellb 7	Mcellb 6	Mcellb 5	Mcellb 4	Mcellb 3	Mcellb 2	Mcellb 1	Mcellb 0

- Bit Definitions:
McellB<i>0-7</i>_Prot 0 = Allow MCellB<i>0-7</i> flip-flop to be loaded by MCU (default).
McellB<i>0-7</i>_Prot 1 = Prevent MCellB<i>0-7</i> flip-flop from being loaded by MCU.

Table 18. Flash Memory Protection Register⁽¹⁾

Bit 7	Bit 6	Bit 5	Bit 4	Bit 3	Bit 2	Bit 1	Bit 0
Sec7_Prot	Sec6_Prot	Sec5_Prot	Sec4_Prot	Sec3_Prot	Sec2_Prot	Sec1_Prot	Sec0_Prot

- Bit Definitions (Read only register):
Sec<i>0-7</i>_Prot 1 = Primary Flash memory Sector <i>0-7</i> is write protected.
Sec<i>0-7</i>_Prot 0 = Primary Flash memory Sector <i>0-7</i> is not write protected.

Table 19. Flash Boot Protection Register⁽¹⁾

Bit 7	Bit 6	Bit 5	Bit 4	Bit 3	Bit 2	Bit 1	Bit 0
Security_Bit	not used	not used	not used	Sec3_Prot	Sec2_Prot	Sec1_Prot	Sec0_Prot

1. Bit Definitions:
Sec<i>_Prot 1 = Secondary Flash memory Sector <i> is write protected.
Sec<i>_Prot 0 = Secondary Flash memory Sector <i> is not write protected.
Security_Bit 0 = Security Bit in device has not been set.
Security_Bit 1 = Security Bit in device has been set.

Table 20. JTAG Enable Register⁽¹⁾

Bit 7	Bit 6	Bit 5	Bit 4	Bit 3	Bit 2	Bit 1	Bit 0
not used	not used	not used	not used	not used	not used	not used	JTAGEnable

1. Bit Definitions:
JTAG_Enable 1 = JTAG Port is enabled.
JTAG_Enable 0 = JTAG Port is disabled.

Table 21. Page Register⁽¹⁾

Bit 7	Bit 6	Bit 5	Bit 4	Bit 3	Bit 2	Bit 1	Bit 0
PGR 7	PGR 6	PGR 5	PGR 4	PGR 3	PGR 2	PGR 1	PGR 0

1. Bit Definitions:
Configure Page input to PLD. Default is PGR7-PGR0=00.

Table 22. PMMR0 Register^{(1) (2)}

Bit 7	Bit 6	Bit 5	Bit 4	Bit 3	Bit 2	Bit 1	Bit 0
not used (set to '0')	not used (set to '0')	PLD MCells CLK	PLD Array CLK	PLD Turbo	not used (set to '0')	APD Enable	not used (set to '0')

1. The bits of this register are cleared to zero following Power-up. Subsequent Reset (RESET) pulses do not clear the registers.
2. Bit Definitions:
APD Enable0 = Automatic Power-down (APD) is disabled.
1 = Automatic Power-down (APD) is enabled.
PLD Turbo0 = PLD Turbo is on.
1 = PLD Turbo is off, saving power.
PLD Array CLK0 = CLKIN to the PLD AND array is connected. Every CLKIN change powers up the PLD when Turbo Bit is off.
1 = CLKIN to the PLD AND array is disconnected, saving power.
PLD MCells CLK0 = CLKIN to the PLD Macrocells is connected.
1 = CLKIN to the PLD Macrocells is disconnected, saving power.

Table 23. PMMR2 Register⁽¹⁾

Bit 7	Bit 6	Bit 5	Bit 4	Bit 3	Bit 2	Bit 1	Bit 0
not used (set to '0')	PLD Array WRH	PLD Array ALE	PLD Array CNTL2	PLD Array CNTL1	PLD Array CNTL0	not used (set to '0')	PLD Array Addr

1. Bit Definitions:
PLD Array Addr0 = Address A7-A0 are connected to the PLD array.
1 = Address A7-A0 are blocked from the PLD array, saving power.
(Note: in XA mode, A3-A0 come from PF3-PF0, and A7-A4 come from ADIO7-ADIO4)
PLD Array CNTL20 = CNTL2 input to the PLD AND array is connected.
1 = CNTL2 input to the PLD AND array is disconnected, saving power.
PLD Array CNTL10 = CNTL1 input to the PLD AND array is connected.
1 = CNTL1 input to the PLD AND array is disconnected, saving power.
PLD Array CNTL00 = CNTL0 input to the PLD AND array is connected.
1 = CNTL0 input to the PLD AND array is disconnected, saving power.
PLD Array ALE0 = ALE input to the PLD AND array is connected.
1 = ALE input to the PLD AND array is disconnected, saving power.
PLD Array WRH0 = WRH/DBE input to the PLD AND array is connected.
1 = WRH/DBE input to the PLD AND array is disconnected, saving power.

Table 24. VM Register^{(1) (2)}

Bit 7	Bit 6	Bit 5	Bit 4	Bit 3	Bit 2	Bit 1	Bit 0
Peripheral mode	not used (set to '0')	not used (set to '0')	FL_data	Boot_data	FL_code	Boot_code	SR_code

- On reset, Bit1-Bit4 are loaded to configurations that are selected by the user in PSDsoft. Bit0 and Bit7 are always cleared on reset. Bit0-Bit4 are active only when the device is configured for the 8031 and compatible MCU families.
- Bit Definitions:
SR_code0 = PSEN cannot access SRAM.
1 = PSEN can access SRAM.
Boot_code0 = PSEN cannot access Secondary NVM.
1 = PSEN can access Secondary NVM.
FL_code0 = PSEN cannot access Primary Flash memory.
1 = PSEN can access Primary Flash memory.
Boot_data0 = RD cannot access Secondary NVM.
1 = RD can access Secondary NVM.
FL_data0 = RD cannot access Primary Flash memory.
1 = RD can access Primary Flash memory.
Peripheral mode0 = Peripheral mode of Port F is disabled.
1 = Peripheral mode of Port F is enabled.

Table 25. Memory_ID0 Register⁽¹⁾

Bit 7	Bit 6	Bit 5	Bit 4	Bit 3	Bit 2	Bit 1	Bit 0
S_size 3	S_size 2	S_size 1	S_size 0	F_size 3	F_size 2	F_size 1	F_size 0

- Bit Definitions:
F_size[3:0]4h = Primary Flash memory size is 4 Mbit
5h = Primary Flash memory size is 8Mbit
S_size[3:0]0h = There is no SRAM
1h = SRAM size is 16 Kbit
3h = SRAM size is 64 Kbit

Table 26. Memory_ID1 Register⁽¹⁾

Bit 7	Bit 6	Bit 5	Bit 4	Bit 3	Bit 2	Bit 1	Bit 0
not used (set to '0')	not used (set to '0')	B_type 1	B_type 0	B_size 3	B_size 2	B_size 1	B_size 0

- Bit Definitions:
B_size[3:0]0h = There is no Secondary NVM
2h = Secondary NVM size is 256 Kbit
B_type[1:0]0h = Secondary NVM is Flash memory
1h = Secondary NVM is EEPROM

6 Detailed operation

As shown in [Figure 2. on page 18](#), the PSD consists of six major types of functional blocks:

- Memory Blocks
- PLD Blocks
- MCU Bus Interface
- I/O Ports
- Power Management Unit (PMU)
- JTAG/ISP Interface

The functions of each block are described in the following sections. Many of the blocks perform multiple functions, and are user configurable.

6.1 Memory blocks

The PSD has the following memory blocks:

- Primary Flash memory
- Secondary Flash memory
- SRAM

The Memory Select signals for these blocks originate from the Decode PLD (DPLD) and are user-defined in PSDsoft.

Table 27. Memory block size and organization

	Primary Flash memory		Secondary Flash memory		SRAM	
Sector number	Sector size (bytes)	Sector Select signal	Sector size (bytes)	Sector Select signal	SRAM size (bytes)	SRAM Select signal
0	64K	FS0	8K	CSBOOT0	16K	RS0
1	64K	FS1	8K	CSBOOT1		
2	64K	FS2	8K	CSBOOT2		
3	64K	FS3	8K	CSBOOT3		
4	64K	FS4				
5	64K	FS5				
6	64K	FS6				
7	64K	FS7				
Total	512K	8 Sectors	32K	4 Sectors	16K	

6.2 Primary Flash memory and Secondary Flash memory description

The primary Flash memory is divided evenly into eight equal sectors. The secondary Flash memory is divided into four equal sectors of eight KBytes each. Each sector of either memory block can be separately protected from Program and Erase cycles.

Flash memory may be erased on a sector-by-sector basis and programmed Word-by-Word. Flash sector erasure may be suspended while data is read from other sectors of the block and then resumed after reading.

During a Program or Erase cycle in Flash memory, the status can be output on Ready/ $\overline{\text{Busy}}$ (PE4). This pin is set up using PSDsoft.

6.3 Memory Block Select signals

The DPLD generates the Select signals for all the internal memory blocks (see [PLDs on page 49](#)). Each of the eight sectors of the primary Flash memory has a Select signal (FS0-FS7) which can contain up to three product terms. Each of the four sectors of the secondary Flash memory has a Select signal (CSBOOT0-CSBOOT3) which can contain up to three product terms. Having three product terms for each Select signal allows a given sector to be mapped in different areas of system memory. When using an MCU with separate Program and Data space, these flexible Select signals allow dynamic re-mapping of sectors from one memory space to the other before and after IAP.

6.4 Upper and lower block IN MAIN FLASH SECTOR

The PSD835G2's main Flash memory has eight 64-KByte sectors. The 64-KByte sector size may cause some difficulty in code mapping for an 8-bit MCU with only 64-KByte address space. To resolve this mapping issue, the PSD835G2 provides additional logic (see [Figure 5. on page 31](#)) for the user to split the 8 sectors such that each sector has a lower and upper 32-KByte block, and the two blocks can reside in different pages but in the same address range.

If your design works with 64KB sectors, you don't need to configure this logic. If the design requires 32KB blocks in each sector, you need to define a "FA15" PLD equation in PSDsoft as the A15 address input to the main Flash module. FA15 consists of 3 product terms and will control whether the MCU is accessing the lower or upper 32KB in the selected sector. Figure 4 shows an example for Flash sector chip select FS0. A typical equation is $\text{FA15} = \text{pgr4}$ of the Page Register. When pgr4 is 0 (page 00), the lower 32KB is selected. When pgr4 is switched to '1' by the user, the upper 32KB is selected. PSDsoft will automatically generate the PLD equations shown, based on your point and click selections.

If no FA15 equation is defined in PSDsoft, the A15 that comes from the MCU address bus will be routed as input to the primary Flash memory instead of FA15. The FA15 equation has no impact on the Sector Erase operation.

Note: FA15 affects all eight sectors of the primary Flash memory simultaneously. You cannot direct FA15 to a particular Flash sector only.

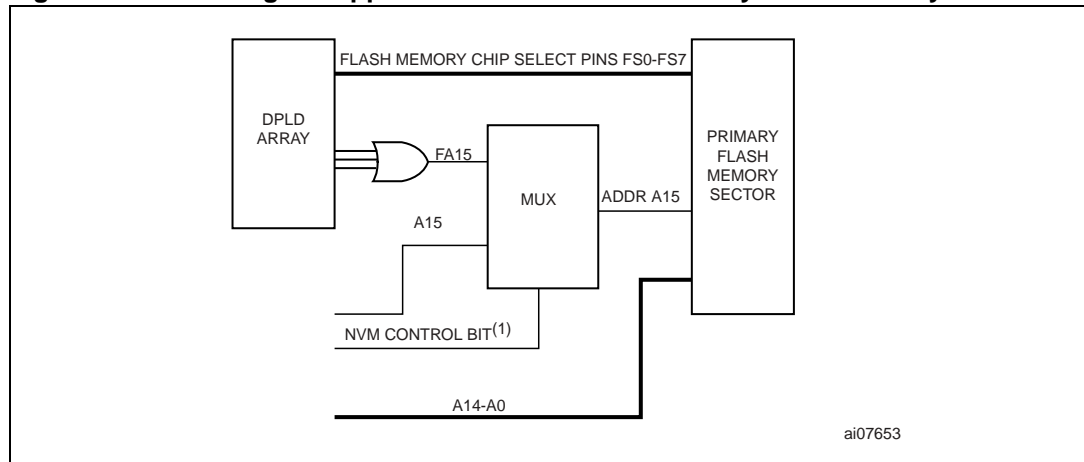
Figure 4. Example for Flash Sector Chip Select FS0

```

page = [pgr7... pgr0]; "Page Register output
"Sector Chip Select Equation
FS0 = ((0000h <= address <= 7FFFh) & page = 00h) # "select first 32KB block
      ((0000h <= address <= 7FFFh) & page = 10h); "select second 32KB block
FA15 = pgr4; "as address A15 input to the primary Flash memory
    
```

ai07652

Figure 5. Selecting the upper or lower block in a Primary Flash memory sector



6.5 Ready/Busy (PE4)

This signal can be used to output the Ready/Busy status of the PSD. The output on Ready/Busy (PE4) is a '0' (Busy) when Flash memory blocks are being written to, or when the Flash memory block is being erased. The output is a '1' (Ready) when no WRITE or Erase cycle is in progress.

6.6 Memory operation

The primary Flash memory and secondary Flash memory are addressed through the MCU Bus Interface. The MCU can access these memories in one of two ways:

- The MCU can execute a typical bus WRITE or READ operation just as it would if accessing a RAM or ROM device using standard bus cycles.
- The MCU can execute a specific instruction that consists of several WRITE and READ operations. This involves writing specific data patterns to special addresses within the Flash memory to invoke an embedded algorithm. These instructions are summarized in [Table 28. on page 32.](#)

Typically, the MCU can read Flash memory using READ operations, just as it would read a ROM device. However, Flash memory can only be altered using specific Erase and Program instructions. For example, the MCU cannot write a single byte directly to Flash memory as it would write a byte to RAM. To program a byte into Flash memory, the MCU must execute a Program instruction, then test the status of the Program cycle. This status test is achieved by a READ operation or polling Ready/Busy (PE4).

Flash memory can also be read by using special instructions to retrieve particular Flash device information (sector protect status and ID).

Table 28. Instructions^{(1) (2) (3)}

Instruction	FS0-FS7 or CSBOOT0-CSBOOT3 ⁽⁴⁾	Cycle 1	Cycle 2	Cycle 3	Cycle 4	Cycle 5	Cycle 6	Cycle 7
Read ⁽⁵⁾	1	"Read" RA @ RD						
Read Primary Flash ID ⁽⁶⁾⁽⁷⁾	1	AAh @ 555h	55h @ AAh	90h @ 555h	Read identifier @ X01h			
Read Sector Protection ⁽⁶⁾⁽⁸⁾⁽⁷⁾	1	AAh @ 555h	55h @ AAh	90h @ 555h	Read identifier 00h or 01h @ X02h			
Program a Flash Byte ⁽¹³⁾	1	AAh @ 555h	55h @ AAh	A0h @ 555h	PD @ PA			
Flash Sector Erase ⁽⁹⁾	1	AAh @ 555h	55h @ AAh	80h @ 555h	AAh @ 555h	55h @ AAh	30h @ SA	30h ⁽⁹⁾ @ next SA
Flash Bulk Erase	1	AAh @ 555h	55h @ AAh	80h @ 555h	AAh @ 555h	55h @ AAh	10h @ 555h	
Suspend Sector Erase ⁽¹⁰⁾	1	B0h @ XXXh						
Resume Sector Erase ⁽¹¹⁾	1	30h @ XXXh						
Reset ⁽⁶⁾	1	F0h @ any address						
Unlock Bypass	1	AAh @ 555h	55h @ AAh	20h @ 555h				
Unlock Bypass Program ⁽¹²⁾	1	A0h @ XXXh	PD @ PA					
Unlock Bypass Reset ⁽¹³⁾	1	90h @ XXXh	00h @ XXXh					

- All bus cycles are WRITE bus cycles, except the ones with the "Read" label
- All values are in hexadecimal: X = Don't Care. RA = Address of the memory location to be read
RD = Data read from location RA during the READ cycle
PA = Address of the memory location to be programmed. Addresses are latched on the falling edge of Write Strobe (\overline{WR} , CNTL0). PA is an even address for PSD in word programming mode.
PD = Data to be programmed at location PA. Data is latched on the rising edge of Write Strobe (\overline{WR} , CNTL0)
SA = Address of the sector to be erased or verified. The Sector Select pins (FS0-FS7 or CSBOOT0-CSBOOT3) of the sector or whole memory to be erased, or verified, must be Active (High).
- Only address Bits A11-A0 are used in instruction decoding. A15-A12 (or A16-A12) are don't care.
- Sector Select (FS0-FS7 or CSBOOT0-CSBOOT3) signals are active High, and are defined in PSDsoft.
- No Unlock or instruction cycles are required when the device is in the READ mode
- The Reset instruction is required to return to the READ mode after reading the Flash ID, or after reading the Sector Protection Status, or if the Error Flag Bit (DQ5/DQ13) goes High.
- The MCU cannot invoke these instructions while executing code from the same Flash memory as that for which the instruction is intended. The MCU must fetch, for example, the code from the secondary Flash memory when reading the Sector Protection Status of the primary Flash memory.
- The data is 00h for an unprotected sector, and 01h for a protected sector. In the fourth cycle, the Sector Select is active, and (A1,A0)=(1,0)
- Additional sectors to be erased must be written at the end of the Sector Erase instruction within 80 μ s.
- The system may perform READ and Program cycles in non-erasing sectors, read the Flash ID or read the Sector Protection Status when in the Suspend Sector Erase mode. The Suspend Sector Erase instruction is valid only during a Sector Erase cycle.
- The Resume Sector Erase instruction is valid only during the Suspend Sector Erase mode.
- The Unlock Bypass instruction is required prior to the Unlock Bypass Program instruction.
- The Unlock Bypass Reset Flash instruction is required to return to reading memory data when the device is in the Unlock Bypass mode.

7 Instructions

An instruction consists of a sequence of specific operations. Each received Byte is sequentially decoded by the PSD and not executed as a standard WRITE operation. The instruction is executed when the correct number of Bytes is properly received and the time between two consecutive Bytes is shorter than the time-out period. Some instructions are structured to include READ operations after the initial WRITE operations.

The instruction must be followed exactly. Any invalid combination of instruction Bytes or time-out between two consecutive bytes while addressing Flash memory resets the device logic into READ mode (Flash memory is read like a ROM device).

The PSD supports the instructions summarized in [Table 28. on page 32](#):

Flash memory:

- Erase memory by chip or sector
- Suspend or resume sector erase
- Program a Byte
- Reset to READ mode
- Read primary Flash Identifier value
- Read Sector Protection Status
- Bypass

These instructions are detailed in [Table 28](#). For efficient decoding of the instructions, the first two Bytes of an instruction are the coded cycles and are followed by an instruction Byte or a confirmation Byte. The coded cycles consist in writing the data AAh to address X555h during the first cycle and data 55h to address XAAAh during the second cycle unless the Bypass Instruction feature is used). Address signals A15-A12 are Don't Care during the instruction WRITE cycles. However, the appropriate Sector Select (FS0-FS7 or CSBOOT0-CSBOOT3) must be selected.

The primary and secondary Flash memories have the same instruction set (except for Read Primary Flash Identifier). The Sector Select signals determine which Flash memory is to receive and execute the instruction. The primary Flash memory is selected if any one of Sector Select (FS0-FS7) is High, and the secondary Flash memory is selected if any one of Sector Select (CSBOOT0-CSBOOT3) is High.

7.1 Power-up mode

The PSD internal logic is reset upon Power-up to the READ mode. Sector Select (FS0-FS7 and CSBOOT0-CSBOOT3) must be held Low, and Write Strobe (\overline{WR} , CNTL0) High, during Power-up for maximum security of the data contents and to remove the possibility of a byte being written on the first edge of Write Strobe (\overline{WR} , CNTL0). Any WRITE cycle initiation is locked when V_{CC} is below V_{LKO} .

7.2 READ

Under typical conditions, the MCU may read the primary Flash memory or the secondary Flash memory using READ operations just as it would a ROM or RAM device. Alternately, the MCU may use READ operations to obtain status information about a Program or Erase cycle that is currently in progress. Lastly, the MCU may use instructions to read special data from these memory blocks. The following sections describe these READ functions.

7.3 Read Memory Contents

Primary Flash memory and secondary Flash memory are placed in the READ mode after Power-up, chip reset, or a Reset Flash instruction (see [Table 28](#)). The MCU can read the memory contents of the primary Flash memory or the secondary Flash memory by using READ operations any time the READ operation is not part of an instruction.

7.4 Read Primary Flash Identifier

The primary Flash memory identifier is read with an instruction composed of 4 operations: 3 specific WRITE operations and a READ operation (see [Table 28. on page 32](#)). The identifier for the device is E8h.

7.5 Read Memory Sector Protection Status

The primary Flash memory Sector Protection Status is read with an instruction composed of 4 operations: 3 specific WRITE operations and a READ operation (see [Table 28](#)). The READ operation produces 01h if the Flash memory sector is protected, or 00h if the sector is not protected.

The sector protection status for all NVM blocks (primary Flash memory or secondary Flash memory) can also be read by the MCU accessing the Flash Protection and Flash Boot Protection registers in PSD I/O space. See [Flash memory Sector Protect on page 43](#) for register definitions.

7.6 Read the Erase/Program Status Bits

The PSD provides several status bits to be used by the MCU to confirm the completion of an Erase or Program cycle of Flash memory. These status bits minimize the time that the MCU spends performing these tasks and are defined in [Table 29](#). The status bits can be read as many times as needed.

For Flash memory, the MCU can perform a READ operation to obtain these status bits while an Erase or Program instruction is being executed by the embedded algorithm. See [Programming Flash memory on page 37](#) for details.

Table 29. Status bit^{(1) (2)}

Functional Block	FS0-FS7/CSBOOT0-CSBOOT3 ⁽³⁾	DQ7	DQ6	DQ5	DQ4	DQ3	DQ2	DQ1	DQ0
Flash memory	V _{IH}	Data Polling	Toggle Flag	Error Flag	X	Erase Time-out	X	X	X

1. X = Not guaranteed value, can be read either '1' or '0.'
2. DQ7-DQ0 represent the Data Bus Bits, D7-D0.
3. FS0-FS7 and CSBOOT0-CSBOOT3 are active High.

7.7 Data polling flag (DQ7)

When erasing or programming in Flash memory, the Data Polling Flag Bit (DQ7) outputs the complement of the bit being entered for programming/writing on the DQ7 Bit. Once the Program instruction or the WRITE operation is completed, the true logic value is read on the Data Polling Flag Bit (DQ7, in a READ operation).

- Data Polling is effective after the fourth WRITE pulse (for a Program instruction) or after the sixth WRITE pulse (for an Erase instruction). It must be performed at the address being programmed or at an address within the Flash memory sector being erased.
- During an Erase cycle, the Data Polling Flag Bit (DQ7) outputs a '0'. After completion of the cycle, the Data Polling Flag Bit (DQ7) outputs the last bit programmed (it is a '1' after erasing).
- If the Byte to be programmed is in a protected Flash memory sector, the instruction is ignored.
- If all the Flash memory sectors to be erased are protected, the Data Polling Flag Bit (DQ7) is reset to '0' for about 100 μs, and then returns to the previous addressed byte. No erasure is performed.

7.8 Toggle flag (DQ6)

The PSD offers another way for determining when the Flash memory Program cycle is completed. During the internal WRITE operation and when either the FS0-FS7 or CSBOOT0-CSBOOT3 is true, the Toggle Flag Bit (DQ6) toggles from '0' to '1' and '1' to '0' on subsequent attempts to read any Byte of the memory.

When the internal cycle is complete, the toggling stops and the data read on the Data Bus D0-D7 is the addressed memory Byte. The device is now accessible for a new READ or WRITE operation. The cycle is finished when two successive READs yield the same output data.

- The Toggle Flag Bit (DQ6) is effective after the fourth WRITE pulse (for a Program instruction) or after the sixth WRITE pulse (for an Erase instruction).
- If the Byte to be programmed belongs to a protected Flash memory sector, the instruction is ignored.
- If all the Flash memory sectors selected for erasure are protected, the Toggle Flag Bit (DQ6) toggles to '0' for about 100 μs and then returns to the previous addressed Byte.

7.9 Error flag (DQ5)

During a normal Program or Erase cycle, the Error Flag Bit (DQ5) is set to '0.' This bit is set to '1' when there is a failure during Flash memory Byte Program, Sector Erase, or Bulk Erase cycle.

In the case of Flash memory programming, the Error Flag Bit (DQ5) indicates the attempt to program a Flash memory bit from the programmed state, 0, to the erased state, 1, which is not valid. The Error Flag Bit (DQ5) may also indicate a Time-out condition while attempting to program a Byte.

In case of an error in a Flash memory Sector Erase or Byte Program cycle, the Flash memory sector in which the error occurred or to which the programmed Byte belongs must no longer be used. Other Flash memory sectors may still be used. The Error Flag Bit (DQ5) is reset after a Reset Flash instruction.

7.10 Erase time-out flag (DQ3)

The Erase Time-out Flag Bit (DQ3) reflects the time-out period allowed between two consecutive Sector Erase instructions. The Erase Time-out Flag Bit (DQ3) is reset to '0' after a Sector Erase cycle for a time period of $100\ \mu\text{s} + 20\%$ unless an additional Sector Erase instruction is decoded. After this time period, or when the additional Sector Erase instruction is decoded, the Erase Time-out Flag Bit (DQ3) is set to '1.'

8 Programming Flash memory

Flash memory must be erased prior to being programmed. The MCU may erase Flash memory all at once or by-sector. A Flash memory sector is erased to all 1s (FFh), and is programmed by setting selected bits to '0.' Although Flash memory is erased by-sector, it is programmed Word-by-Word.

The primary and secondary Flash memories require the MCU to send an instruction to program a Word or to erase sectors (see [Table 28. on page 32](#)).

Once the MCU issues a Flash memory Program or Erase instruction, it must check the status bits for completion. The embedded algorithms that are invoked inside the PSD support several means to provide status to the MCU. Status may be checked using any of three methods: Data Polling, Data Toggle, or the Ready/Busy (PE4) output pin.

8.1 Data polling

Polling on the Data Polling Flag Bit (DQ7) is a method of checking whether a Program or Erase cycle is in progress or has completed. [Figure 6](#) shows the Data Polling algorithm.

When the MCU issues a Program instruction, the embedded algorithm within the PSD begins. The MCU then reads the location of the Word to be programmed in Flash memory to check status. The Data Polling Flag Bit (DQ7) of this location becomes the complement of b7 of the original data byte to be programmed. The MCU continues to poll this location, comparing the Data Polling Flag Bit (DQ7) and monitoring the Error Flag Bit (DQ5). When the Data Polling Flag Bit (DQ7) matches b7 of the original data, and the Error Flag Bit (DQ5) remains '0,' the embedded algorithm is complete. If the Error Flag Bit (DQ5) is '1,' the MCU should test the Data Polling Flag Bit (DQ7) again since the Data Polling Flag Bit (DQ7) may have changed simultaneously with the Error Flag Bit (DQ5, see [Figure 6](#)).

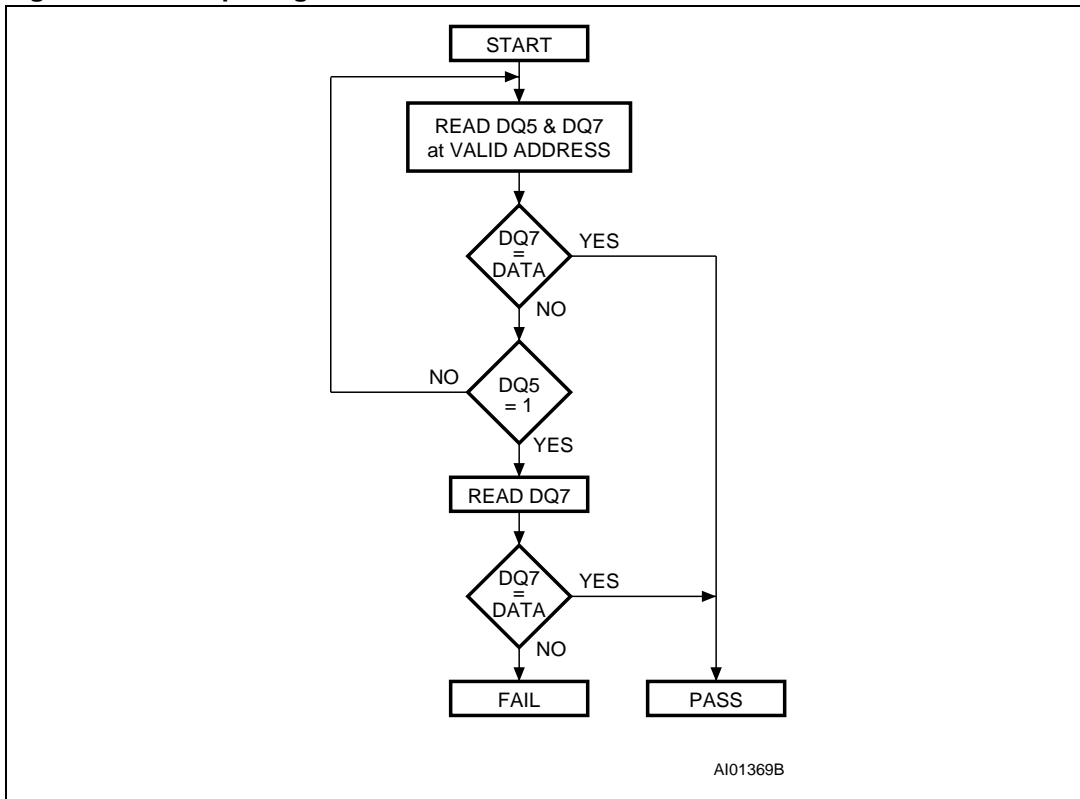
The Error Flag Bit (DQ5) is set if either an internal time-out occurred while the embedded algorithm attempted to program the Byte or if the MCU attempted to program a '1' to a bit that was not erased (not erased is logic 0).

It is suggested (as with all Flash memories) to read the location again after the embedded programming algorithm has completed, to compare the Byte that was written to the Flash memory with the Byte that was intended to be written.

When using the Data Polling method after an Erase cycle, [Figure 6](#) still applies. However, the Data Polling Flag Bit (DQ7) is '0' until the Erase cycle is complete. A '1' on the Error Flag Bit (DQ5) indicates a time-out condition on the Erase cycle; a '0' indicates no error. The MCU can read any location within the sector being erased to get the Data Polling Flag Bit (DQ7) and the Error Flag Bit (DQ5).

PSDsoft generates ANSI C code functions which implement these Data Polling algorithms.

Figure 6. Data polling flowchart



8.2 Data toggle

Checking the Toggle Flag Bit (DQ6) is a method of determining whether a Program or Erase cycle is in progress or has completed. Figure 7 shows the Data Toggle algorithm.

When the MCU issues a Program instruction, the embedded algorithm within the PSD begins. The MCU then reads the location of the byte to be programmed in Flash memory to check status. The Toggle Flag Bit (DQ6) of this location toggles each time the MCU reads this location until the embedded algorithm is complete. The MCU continues to read this location, checking the Toggle Flag Bit (DQ6) and monitoring the Error Flag Bit (DQ5). When the Toggle Flag Bit (DQ6) stops toggling (two consecutive READs yield the same value), and the Error Flag Bit (DQ5) remains '0,' the embedded algorithm is complete. If the Error Flag Bit (DQ5) is 1, the MCU should test the Toggle Flag Bit (DQ6) again, since the Toggle Flag Bit (DQ6) may have changed simultaneously with the Error Flag Bit (DQ5, see Figure 7).

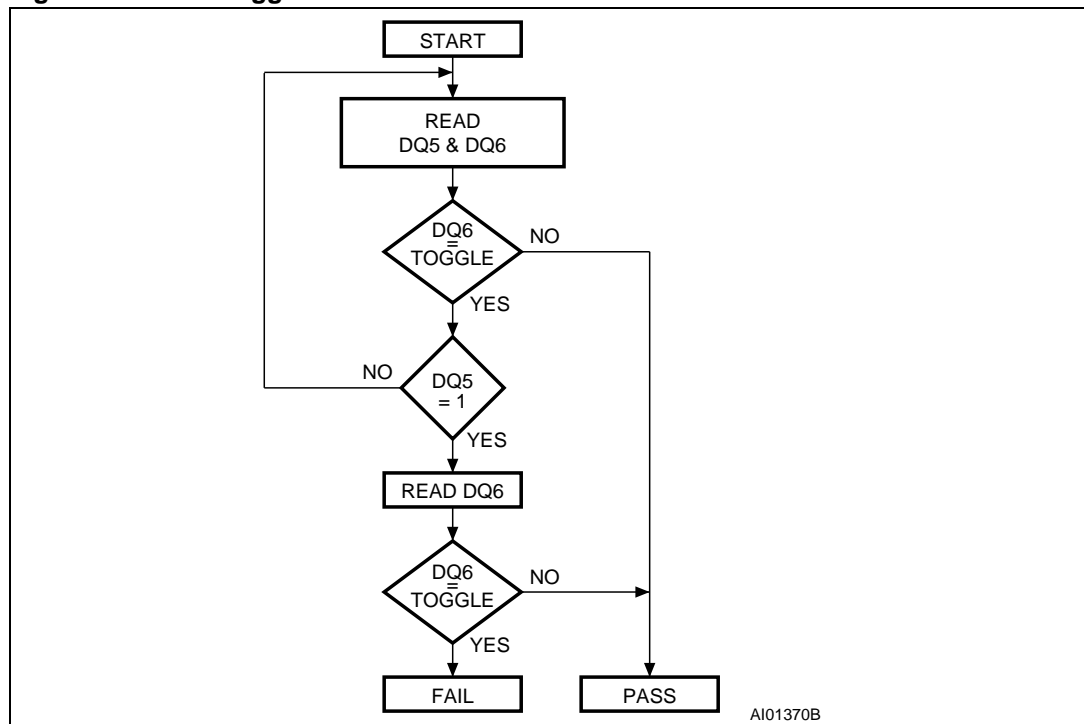
The Error Flag Bit (DQ5) is set if either an internal time-out occurred while the embedded algorithm attempted to program the byte, or if the MCU attempted to program a '1' to a bit that was not erased (not erased is logic 0).

It is suggested (as with all Flash memories) to read the location again after the embedded programming algorithm has completed, to compare the Byte that was written to Flash memory with the Byte that was intended to be written.

When using the Data Toggle method after an Erase cycle, Figure 7 still applies. the Toggle Flag Bit (DQ6) toggles until the Erase cycle is complete. A 1 on the Error Flag Bit (DQ5) indicates a time-out condition on the Erase cycle; a '0' indicates no error. The MCU can read any location within the sector being erased to get the Toggle Flag Bit (DQ6) and the Error Flag Bit (DQ5).

PSDsoft generates ANSI C code functions which implement these Data Toggling algorithms.

Figure 7. Data toggle flowchart



8.3 Unlock Bypass

The Unlock Bypass instructions allow the system to program bytes to the Flash memories faster than using the standard Program instruction. The Unlock Bypass mode is entered by first initiating two Unlock cycles. This is followed by a third WRITE cycle containing the Unlock Bypass code, 20h (as shown in [Table 28. on page 32](#)).

The Flash memory then enters the Unlock Bypass mode. A two-cycle Unlock Bypass Program instruction is all that is required to program in this mode. The first cycle in this instruction contains the Unlock Bypass Program code, A0h. The second cycle contains the program address and data. Additional data is programmed in the same manner. These instructions dispense with the initial two Unlock cycles required in the standard Program instruction, resulting in faster total Flash memory programming.

During the Unlock Bypass mode, only the Unlock Bypass Program and Unlock Bypass Reset Flash instructions are valid.

To exit the Unlock Bypass mode, the system must issue the two-cycle Unlock Bypass Reset Flash instruction. The first cycle must contain the data 90h; the second cycle, the data 00h. Addresses are Don't Care for both cycles. The Flash memory then returns to READ mode.

9 Erasing Flash memory

9.1 Flash Bulk Erase

The Flash Bulk Erase instruction uses six WRITE operations followed by a READ operation of the status register, as described in [Table 28. on page 32](#). If any byte of the Bulk Erase instruction is wrong, the Bulk Erase instruction aborts and the device is reset to the Read Flash memory status.

During a Bulk Erase, the memory status may be checked by reading the Error Flag Bit (DQ5), the Toggle Flag Bit (DQ6), and the Data Polling Flag Bit (DQ7), as detailed in [“Programming Flash memory on page 37](#). The Error Flag Bit (DQ5) returns a '1' if there has been an Erase Failure (maximum number of Erase cycles has been executed).

It is not necessary to program the memory with 00h because the PSD automatically does this before erasing to 0FFh.

During execution of the Bulk Erase instruction, the Flash memory does not accept any instructions.

9.2 Flash Sector Erase

The Sector Erase instruction uses six WRITE operations, as described in [Table 28. on page 32](#). Additional Flash Sector Erase codes and Flash memory sector addresses can be written subsequently to erase other Flash memory sectors in parallel, without further coded cycles, if the additional bytes are transmitted in a shorter time than the time-out period of about 100 μ s. The input of a new Sector Erase code restarts the time-out period.

The status of the internal timer can be monitored through the level of the Erase Time-out Flag Bit (DQ3). If the Erase Time-out Flag Bit (DQ3) is '0,' the Sector Erase instruction has been received and the time-out period is counting. If the Erase Time-out Flag Bit (DQ3) is '1,' the time-out period has expired and the PSD is busy erasing the Flash memory sector(s). Before and during Erase time-out, any instruction other than Suspend Sector Erase and Resume Sector Erase instructions abort the cycle that is currently in progress, and reset the device to READ mode. It is not necessary to program the Flash memory sector with 00h as the PSD does this automatically before erasing (Byte=FFh).

During a Sector Erase, the memory status may be checked by reading the Error Flag Bit (DQ5), the Toggle Flag Bit (DQ6), and the Data Polling Flag Bit (DQ7), as detailed in [Programming Flash memory on page 37](#).

During execution of the Erase cycle, the Flash memory accepts only Reset and Suspend Sector Erase instructions. Erasure of one Flash memory sector may be suspended, in order to read data from another Flash memory sector, and then resumed.

9.3 Suspend Sector Erase

When a Sector Erase cycle is in progress, the Suspend Sector Erase instruction can be used to suspend the cycle by writing 0B0h to any even address when an appropriate Sector Select (FS0-FS7 or CSBOOT0-CSBOOT3) is High. (See [Table 28. on page 32](#)). This allows reading of data from another Flash memory sector after the Erase cycle has been suspended. Suspend Sector Erase is accepted only during an Erase cycle and defaults to READ mode. A Suspend Sector Erase instruction executed during an Erase time-out period, in addition to suspending the Erase cycle, terminates the time out period.

The Toggle Flag Bit (DQ6) stops toggling when the PSD internal logic is suspended. The status of this bit must be monitored at an address within the Flash memory sector being erased. The Toggle Flag Bit (DQ6) stops toggling between 0.1 μ s and 15 μ s after the Suspend Sector Erase instruction has been executed. The PSD is then automatically set to READ mode.

If a Suspend Sector Erase instruction was executed, the following rules apply:

- Attempting to read from a Flash memory sector that was being erased outputs invalid data.
- Reading from a Flash sector that was *not* being erased is valid.
- The Flash memory *cannot* be programmed, and only responds to Resume Sector Erase and Reset Flash instructions (READ is an operation and is allowed).
- If a Reset Flash instruction is received, data in the Flash memory sector that was being erased is invalid.

9.4 Resume Sector Erase

If a Suspend Sector Erase instruction was previously executed, the erase cycle may be resumed with this instruction. The Resume Sector Erase instruction consists in writing 030h to any even address while an appropriate Sector Select (FS0-FS7 or CSBOOT0-CSBOOT3) is High. (See [Table 28. on page 32](#).)

10 Specific features

10.1 Flash memory Sector Protect

Each primary and secondary Flash memory sector can be separately protected against Program and Erase cycles. Sector Protection provides additional data security because it disables all Program or Erase cycles. This mode can be activated through the JTAG/ISP Port or a Device Programmer.

Sector protection can be selected for each sector using the PSDsoft program. This automatically protects selected sectors when the device is programmed through the JTAG Port or a Device Programmer. Flash memory sectors can be unprotected to allow updating of their contents using the JTAG Port or a Device Programmer. The MCU can read (but cannot change) the sector protection bits.

Any attempt to program or erase a protected Flash memory sector is ignored by the device. The Verify operation results in a READ of the protected data. The retention of the Protection status is thus ensured.

The sector protection status can be read by the MCU through the primary and secondary Flash memory protection registers (in the CSIOP block). See [Table 18. on page 26](#) and [Table 19. on page 27](#).

10.2 Reset Flash

The Reset Flash instruction consists of one WRITE cycle (see [Table 28. on page 32](#)). It can also be optionally preceded by the standard two WRITE decoding cycles (writing AAh to AAAh and 55h to 554h).

It must be executed after:

- Reading the Flash Protection Status or Flash ID using the Flash instruction.
- An Error condition has occurred (and the device has set the Error Flag Bit (DQ5) to '1') during a Flash memory Program or Erase cycle.

The Reset Flash instruction puts the Flash memory back into normal READ mode immediately. If an Error condition has occurred (and the device has set the Error Flag Bit (DQ5) to '1') the Flash memory is put back into normal READ mode within 25 μ s of the Reset Flash instruction having been issued. The Reset Flash instruction is ignored when it is issued during a Program or Bulk Erase cycle of the Flash memory. The Reset Flash instruction aborts any on-going Sector Erase cycle, and returns the Flash memory to the normal READ mode within 25 μ s.

10.3 Reset ($\overline{\text{RESET}}$) signal

A pulse on Reset ($\overline{\text{RESET}}$) aborts any cycle that is in progress, and resets the Flash memory to the READ mode. When the reset occurs during a Program or Erase cycle, the Flash memory takes up to 25 μ s to return to the READ mode. It is recommended that the Reset ($\overline{\text{RESET}}$) pulse (except for the one described in [Power-Up reset on page 89](#)) be at least 25 μ s so that the Flash memory is always ready for the MCU to fetch the bootstrap instructions after the Reset cycle is complete.

11 SRAM

The SRAM is enabled when SRAM Select (RS0) from the DPLD is High. SRAM Select (RS0) can contain up to three product terms, allowing flexible memory mapping.

The SRAM can be backed up using an external battery. The external battery should be connected to Voltage Stand-by (V_{STBY} , PE6). If you have an external battery connected to the PSD, the contents of the SRAM are retained in the event of a power loss. The contents of the SRAM are retained so long as the battery voltage remains at 2 V or greater. If the supply voltage falls below the battery voltage, an internal power switch-over to the battery occurs.

PE7 can be configured as an output that indicates when power is being drawn from the external battery. Battery-on Indicator (V_{BATON} , PE7) is High when the supply voltage falls below the battery voltage and the battery on Voltage Stand-by (V_{STBY} , PE6) is supplying power to the internal SRAM.

SRAM Select (RS0), Voltage Stand-by (V_{STBY} , PC2) and Battery-on Indicator (V_{BATON} , PC4) are all configured using PSDsoft Express Configuration.

The SRAM Select (RS0), V_{BATON} and V_{STBY} are all configured using PSDsoft.

12 Sector Select and SRAM Select

Sector Select (FS0-FS7 for primary Flash memory, CSBOOT0-CSBOOT3 for secondary Flash memory) and SRAM Select (RS0) are all outputs of the DPLD. They are setup using PSDsoft. The following rules apply to the equations for these signals:

1. Primary Flash memory and secondary Flash memory Sector Select signals must *not* be larger than the physical sector size.
2. Any primary Flash memory sector must *not* be mapped in the same memory space as another primary Flash memory sector.
3. A secondary Flash memory sector must *not* be mapped in the same memory space as another secondary Flash memory sector.
4. SRAM and I/O spaces must *not* overlap.
5. A secondary Flash memory sector *may* overlap a primary Flash memory sector. In case of overlap, priority is given to the secondary Flash memory sector.
6. SRAM and I/O spaces *may* overlap any other memory sector. Priority is given to the SRAM and I/O.

12.1 Example

FS0 is valid when the address is in the range of 8000h to BFFFh, CSBOOT0 is valid from 8000h to 9FFFh, and RS0 is valid from 8000h to 87FFh. Any address in the range of RS0 always accesses the SRAM. Any address in the range of CSBOOT0 greater than 87FFh (and less than 9FFFh) automatically addresses secondary Flash memory segment 0. Any address greater than 9FFFh accesses the primary Flash memory segment 0. You can see that half of the primary Flash memory segment 0 and one-fourth of secondary Flash memory segment 0 cannot be accessed in this example. Also note that an equation that defined FS1 to anywhere in the range of 8000h to BFFFh would *not* be valid.

Figure 8 shows the priority levels for all memory components. Any component on a higher level can overlap and has priority over any component on a lower level. Components on the same level must *not* overlap. Level one has the highest priority and level 3 has the lowest.

12.2 Memory Select configuration for MCUs with separate program and data spaces

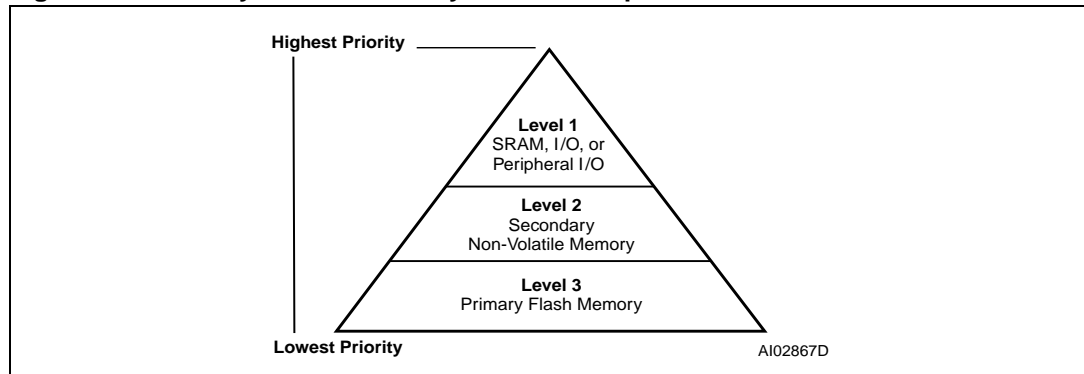
The 80C51 and compatible family of MCUs have separate address spaces for Program memory (selected using Program Select Enable (PSEN, CNTL2)) and Data memory (selected using Read Strobe (RD, CNTL1)). Any of the memories within the PSD can reside in either space or both spaces. This is controlled through manipulation of the VM register that resides in the CSIOP space.

The VM register is set using PSDsoft to have an initial value. It can subsequently be changed by the MCU so that memory mapping can be changed on-the-fly.

For example, you may wish to have SRAM and primary Flash memory in the Data space at Boot-up, and secondary Flash memory in the Program space at Boot-up, and later swap the primary and secondary Flash memories. This is easily done with the VM register by using PSDsoft to configure it for Boot-up and having the MCU change it when desired.

[Table 24. on page 28](#) describes the VM Register.

Figure 8. Priority level of memory and I/O components



12.3 Configuration modes for MCUs with separate program and data spaces

12.3.1 Separate space modes

Program space is separated from Data space. For example, Program Select Enable ($\overline{\text{PSEN}}$, CNTL2) is used to access the program code from the primary Flash memory, while Read Strobe ($\overline{\text{RD}}$, CNTL1) is used to access data from the secondary Flash memory, SRAM and I/O Port blocks. This configuration requires the VM register to be set to 0Ch (see Figure 9).

12.3.2 Combined space modes

The Program and Data spaces are combined into one memory space that allows the primary Flash memory, secondary Flash memory, and SRAM to be accessed by either Program Select Enable ($\overline{\text{PSEN}}$, CNTL2) or Read Strobe ($\overline{\text{RD}}$, CNTL1). For example, to configure the primary Flash memory in Combined space, Bits b2 and b4 of the VM register are set to '1' (see Figure 10).

Figure 9. 8031 memory modules – separate space

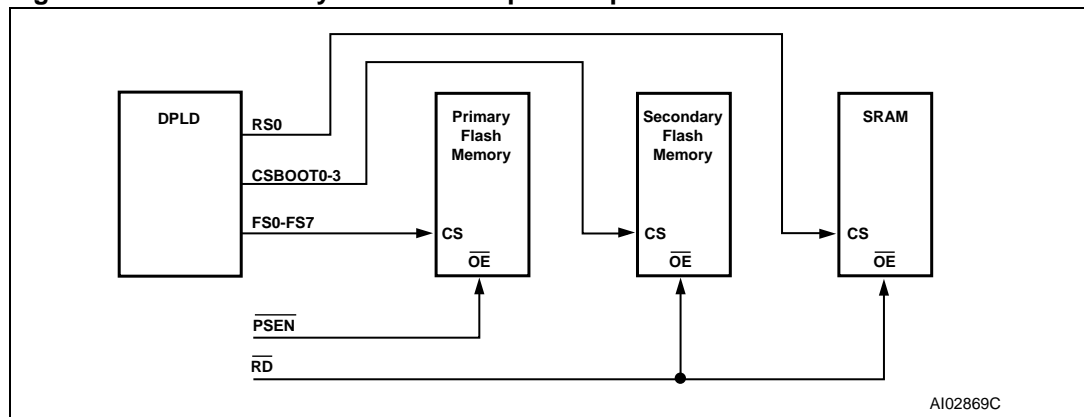
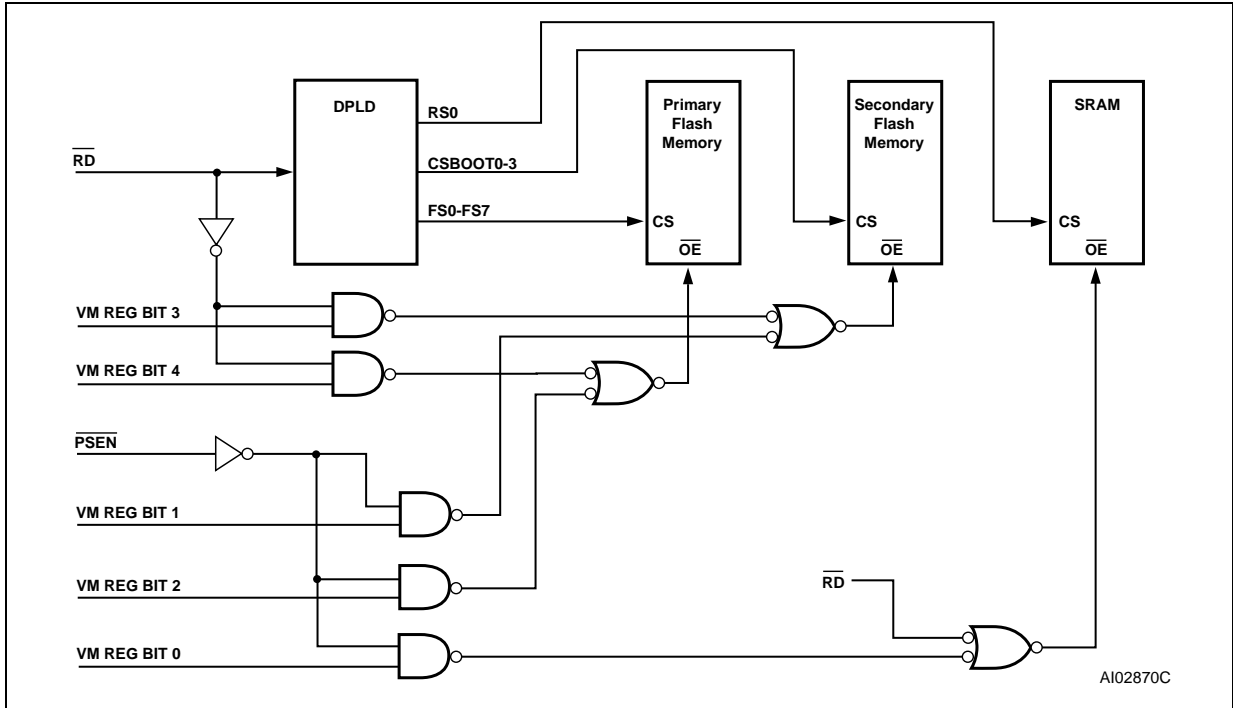


Figure 10. 8031 memory modules – combined space



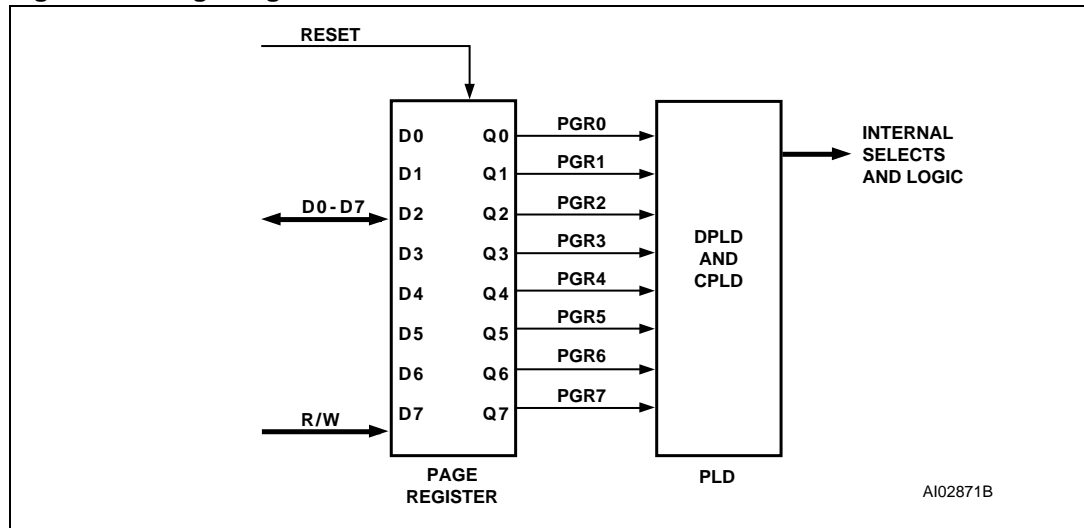
13 Page Register

The 8-bit Page Register increases the addressing capability of the MCU by a factor of up to 256. The contents of the register can also be read by the MCU. The outputs of the Page Register (PGR0-PGR7) are inputs to the DPLD decoder and can be included in the Sector Select (FS0-FS7, CSBOOT0-CSBOOT3), and SRAM Select (RS0) equations.

If memory paging is not needed, or if not all 8 page register bits are needed for memory paging, then these bits may be used in the CPLD for general logic. See Application Note AN1154.

Figure 11 shows the Page Register. The eight flip-flops in the register are connected to the internal data bus D0-D7. The MCU can write to or read from the Page Register. The Page Register can be accessed at address location CSIOP + E0h.

Figure 11. Page Register



14 Memory ID Registers

The 8-bit Read-only Memory Status Registers are included in the CSIOP space. The user can determine the memory configuration of the PSD device by reading the Memory ID0 and ID1 Registers. The contents of the registers are defined in [Table 25. on page 28](#) and [Table 26. on page 28](#).

15 PLDs

The PLDs bring programmable logic functionality to the PSD. After specifying the logic for the PLDs in PSDsoft, the logic is programmed into the device and available upon Power-up.

The PSD contains two PLDs: the Decode PLD (DPLD), and the Complex PLD (CPLD). The PLDs are briefly discussed in the next few paragraphs, and in more detail in [Decode PLD \(DPLD\) on page 52](#) and [Complex PLD \(CPLD\) on page 53](#). Figure 12 shows the configuration of the PLDs.

The DPLD performs address decoding for Select signals for internal components, such as memory, registers, and I/O ports.

The CPLD can be used for logic functions, such as loadable counters and shift registers, state machines, and encoding and decoding logic. These logic functions can be constructed using the 16 Output Macrocells (OMC), 24 Input Macrocells (IMC), and the AND Array. The CPLD can also be used to generate External Chip Select (ECS0-ECS2) signals.

The AND Array is used to form product terms. These product terms are specified using PSDsoft. An Input Bus consisting of 82 signals is connected to the PLDs. The signals are shown in [Table 30](#).

15.1 The Turbo bit in PSD

The PLDs in the PSD can minimize power consumption by switching to standby when inputs remain unchanged for an extended time of about 70ns. Resetting the Turbo Bit to '0' (Bit 3 of PMMR0) automatically places the PLDs into standby if no inputs are changing. Turning the Turbo mode off increases propagation delays while reducing power consumption. See [Power management on page 84](#), on how to set the Turbo Bit.

Additionally, five bits are available in PMMR2 to block MCU control signals from entering the PLDs. This reduces power consumption and can be used only when these MCU control signals are not used in PLD logic equations.

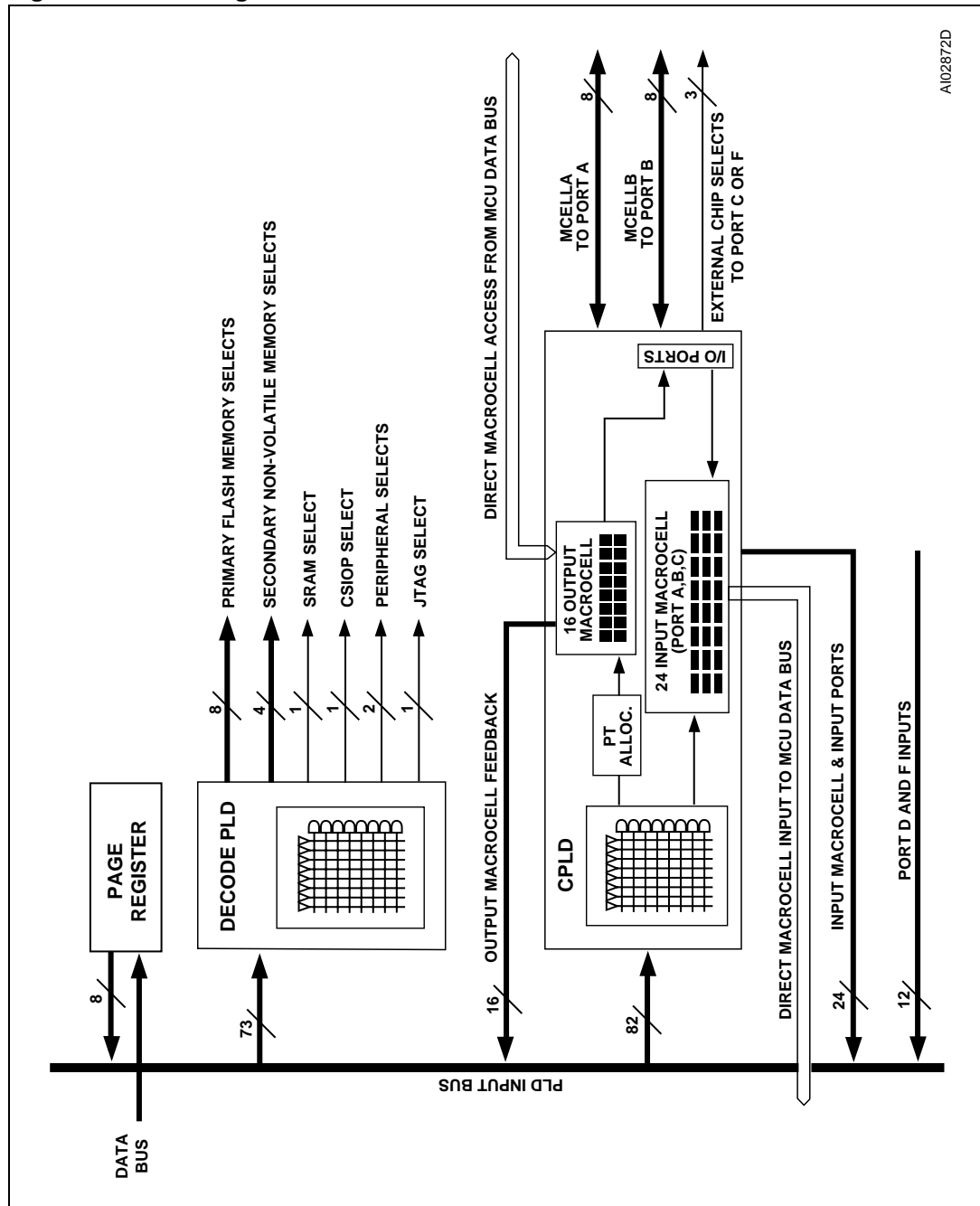
Each of the two PLDs has unique characteristics suited for its applications. They are described in the following sections.

Table 30. DPLD and CPLD inputs

Input source	Input name	Number of signals
MCU Address Bus ⁽¹⁾	A15-A0	16
MCU Control Signals	CNTL2-CNTL0	3
Reset	\overline{RST}	1
Power-down	PDN	1
Port A Input Macrocells	PA7-PA0	8
Port B Input Macrocells	PB7-PB0	8
Port C Input Macrocells	PC7-PC0	8
Port D Inputs	PD3-PD0	4
Port F Inputs	PF7-PF0	8
Page Register	PGR7-PGR0	8
Macrocell A Feedback	MCELLA.FB7-FB0	8
Macrocell B Feedback	MCELLB.FB7-FB0	8
Secondary Flash memory Program Status Bit	Ready/ \overline{Busy}	1

1. The address inputs are A19-A4 in 80C51XA mode.

Figure 12. PLD diagram



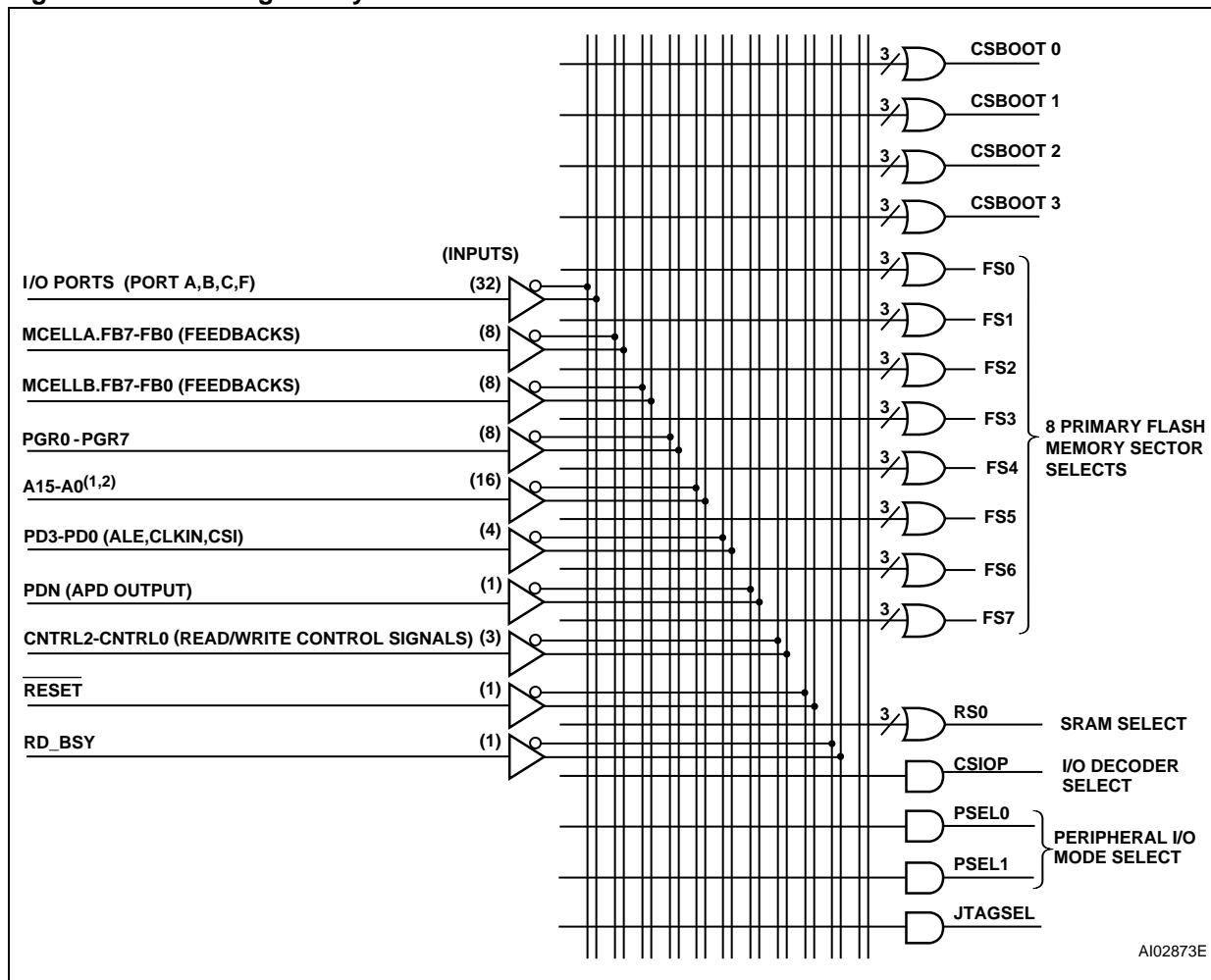
A102872D

15.2 Decode PLD (DPLD)

The DPLD, shown in Figure 13, is used for decoding the address for internal and external components. The DPLD can be used to generate the following decode signals:

- 8 Sector Select (FS0-FS7) signals for the primary Flash memory (three product terms each)
- 4 Sector Select (CSBOOT0-CSBOOT3) signals for the secondary Flash memory (three product terms each)
- 1 internal SRAM Select (RS0) signal (three product terms)
- 1 internal CSIOP Select (PSD Configuration Register) signal
- 1 JTAG Select signal (enables JTAG/ISP on Port E)
- 2 internal Peripheral Select signals (Peripheral I/O mode).

Figure 13. DPLD logic array



1. The address inputs are A19-A4 in 80C51XA mode.
2. Additional address lines can be brought into PSD via Port A, B, C, D or F.

15.3 Complex PLD (CPLD)

The CPLD can be used to implement system logic functions, such as loadable counters and shift registers, system mailboxes, handshaking protocols, state machines, and random logic. The CPLD can also be used to generate three External Chip Select (ECS0-ECS2), routed to Port D.

Although External Chip Select (ECS0-ECS2) can be produced by any Output Macrocell (OMC), these three External Chip Select (ECS0-ECS2) on Port D do not consume any Output Macrocells (OMC).

As shown in [Figure 12. on page 51](#), the CPLD has the following blocks:

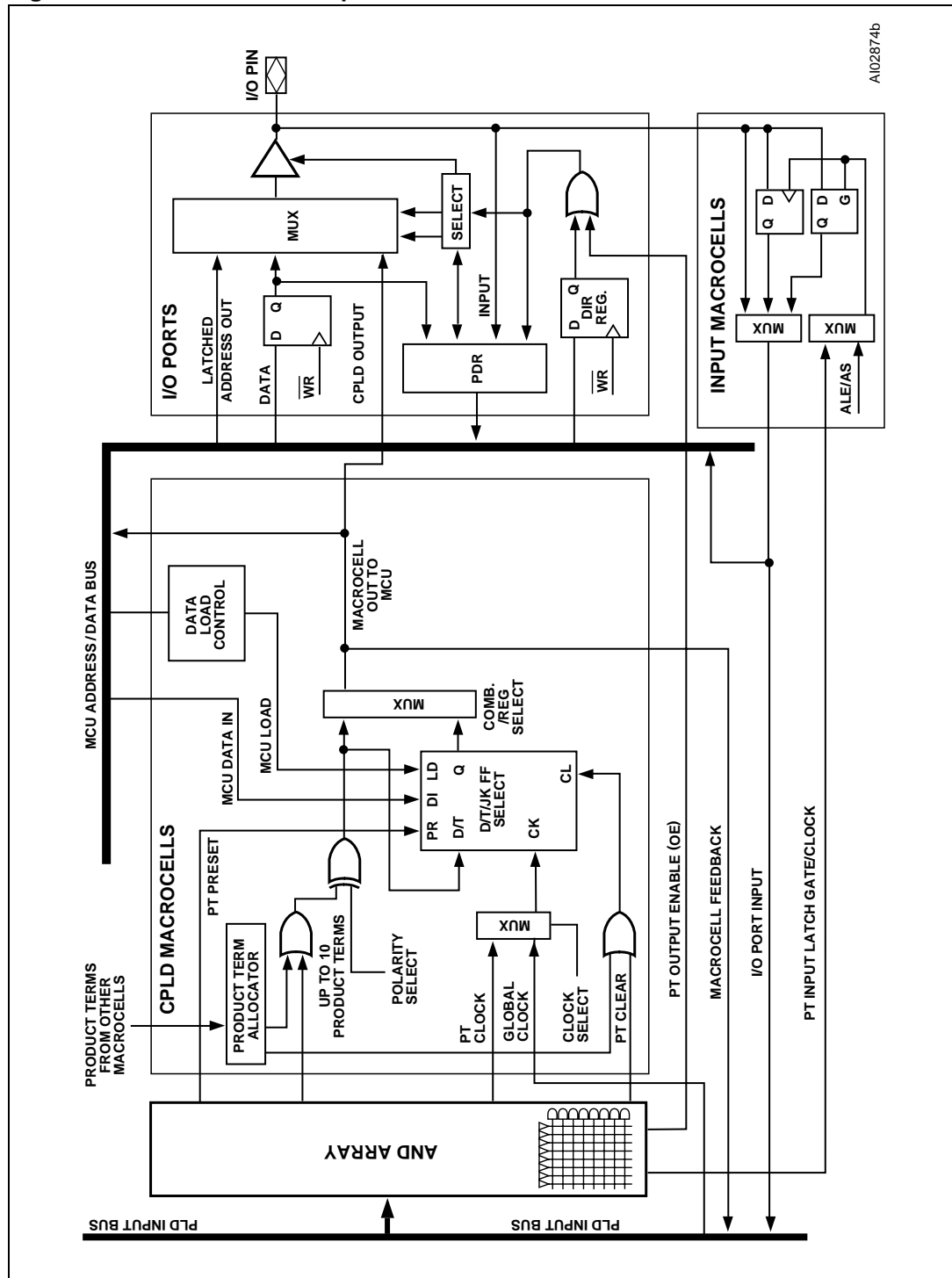
- 24 Input Macrocells (IMC)
- 16 Output Macrocells (OMC)
- Macrocell Allocator
- Product Term Allocator
- AND Array capable of generating up to 137 product terms
- Four I/O Ports.

Each of the blocks are described in the sections that follow.

The Input Macrocells (IMC) and Output Macrocells (OMC) are connected to the PSD internal data bus and can be directly accessed by the MCU. This enables the MCU software to load data into the Output Macrocells (OMC) or read data from both the Input and Output Macrocells (IMC and OMC).

This feature allows efficient implementation of system logic and eliminates the need to connect the data bus to the AND Array as required in most standard PLD macrocell architectures.

Figure 14. Macrocell and I/O port



15.4 Output macrocell (OMC)

Eight of the Output Macrocells (OMC) are connected to Port A pins and are named as McellA0-McellA7. The other eight macrocells are connected to Port B pins and are named as McellB0-McellB7.

The Output Macrocell (OMC) architecture is shown in [Figure 15. on page 57](#). As shown in the figure, there are native product terms available from the AND Array, and borrowed product terms available (if unused) from other Output Macrocells (OMC). The polarity of the product term is controlled by the XOR gate. The Output Macrocell (OMC) can implement either sequential logic, using the flip-flop element, or combinatorial logic.

The multiplexer selects between the sequential or combinatorial logic outputs. The multiplexer output can drive a port pin and has a feedback path to the AND Array inputs.

The flip-flop in the Output Macrocell (OMC) block can be configured as a D, T, JK, or SR type in the PSDsoft program. The flip-flop's clock, preset, and clear inputs may be driven from a product term of the AND Array. Alternatively, CLKIN (PD1) can be used for the clock input to the flip-flop. The flip-flop is clocked to the rising edge of CLKIN (PD1). The preset and clear are active High inputs. Each clear input can use up to two product terms.

Table 31. Output macrocell port and data bit assignments

Output macrocell	Port assignment	Native product terms	Maximum borrowed product terms	Data bit for loading or reading
McellA0	Port A0	3	6	D0
McellA1	Port A1	3	6	D1
McellA2	Port A2	3	6	D2
McellA3	Port A3	3	6	D3
McellA4	Port A4	3	6	D4
McellA5	Port A5	3	6	D5
McellA6	Port A6	3	6	D6
McellA7	Port A7	3	6	D7
McellB0	Port B0	4	5	D0
McellB1	Port B1	4	5	D1
McellB2	Port B2	4	5	D2
McellB3	Port B3	4	5	D3
McellB4	Port B4	4	6	D4
McellB5	Port B5	4	6	D5
McellB6	Port B6	4	6	D6
McellB7	Port B7	4	6	D7

15.5 Product term allocator

The CPLD has a Product Term Allocator. The PSD uses the Product Term Allocator to borrow and place product terms from one macrocell to another. The following list summarizes how product terms are allocated:

- McellA0-McellA7 all have three native product terms and may borrow up to six more
- McellB0-McellB3 all have four native product terms and may borrow up to five more
- McellB4-McellB7 all have four native product terms and may borrow up to six more.

Each macrocell may only borrow product terms from certain other macrocells. Product terms already in use by one macrocell are not available for another macrocell.

If an equation requires more product terms than are available to it, then “external” product terms are required that consume other Output Macrocells (OMC). If external product terms are used, extra delay is added for the equation that required the extra product terms. This is called product term expansion. PSDsoft performs this expansion as needed.

15.6 Loading and reading the output macrocells (OMC)

The Output Macrocells (OMC) block occupies a memory location in the MCU address space, as defined by the CSIOP block (see [I/O ports on page 71](#)). The flip-flops in each of the 16 Output Macrocells (OMC) can be loaded from the data bus by a MCU. Loading the Output Macrocells (OMC) with data from the MCU takes priority over internal functions. As such, the preset, clear, and clock inputs to the flip-flop can be overridden by the MCU. The ability to load the flip-flops and read them back is useful in such applications as loadable counters and shift registers, mailboxes, and handshaking protocols.

Data can be loaded to the Output Macrocells (OMC) on the trailing edge of the Write Strobe (\overline{WR} , CNTL0) signal.

15.7 The OMC Mask Register

There is one Mask Register for each of the two groups of eight Output Macrocells (OMC). The Mask Registers can be used to block the loading of data to individual Output Macrocells (OMC). The default value for the Mask Registers is 00h, which allows loading of the Output Macrocells (OMC). When a given bit in a Mask Register is set to a '1,' the MCU is blocked from writing to the associated Output Macrocells (OMC). For example, suppose McellA0-McellA3 are being used for a state machine. You would not want a MCU WRITE to McellA to overwrite the state machine registers. Therefore, you would want to load the Mask Register for McellA (Mask Macrocell AB) with the value 0Fh.

15.8 The Output Enable of the OMC

The Output Macrocells (OMC) block can be connected to an I/O port pin as a PLD output. The output enable of each port pin driver is controlled by a single product term from the AND Array, ORed with the Direction Register output. The pin is enabled upon Power-up if no output enable equation is defined and if the pin is declared as a PLD output in PSDsoft.

If the Output Macrocell (OMC) output is declared as an internal node and not as a port pin output in the PSDlabel file, the port pin can be used for other I/O functions. The internal node feedback can be routed as an input to the AND Array.

15.9 Input macrocells (IMC)

The CPLD has 24 Input Macrocells (IMC), one for each pin on Ports A, B, and C. The architecture of the Input Macrocells (IMC) is shown in [Figure 16. on page 59](#). The Input Macrocells (IMC) are individually configurable, and can be used as a latch, register, or to pass incoming Port signals prior to driving them onto the PLD input bus. The outputs of the Input Macrocells (IMC) can be read by the MCU through the internal data bus.

The enable for the latch and clock for the register are driven by a multiplexer whose inputs are a product term from the CPLD AND Array or the MCU Address Strobe (ALE/AS). Each product term output is used to latch or clock four Input Macrocells (IMC). Port inputs 3-0 can be controlled by one product term and 7-4 by another.

Configurations for the Input Macrocells (IMC) are specified by PSDsoft. Outputs of the Input Macrocells (IMC) can be read by the MCU via the IMC buffer. See [I/O ports on page 71](#).

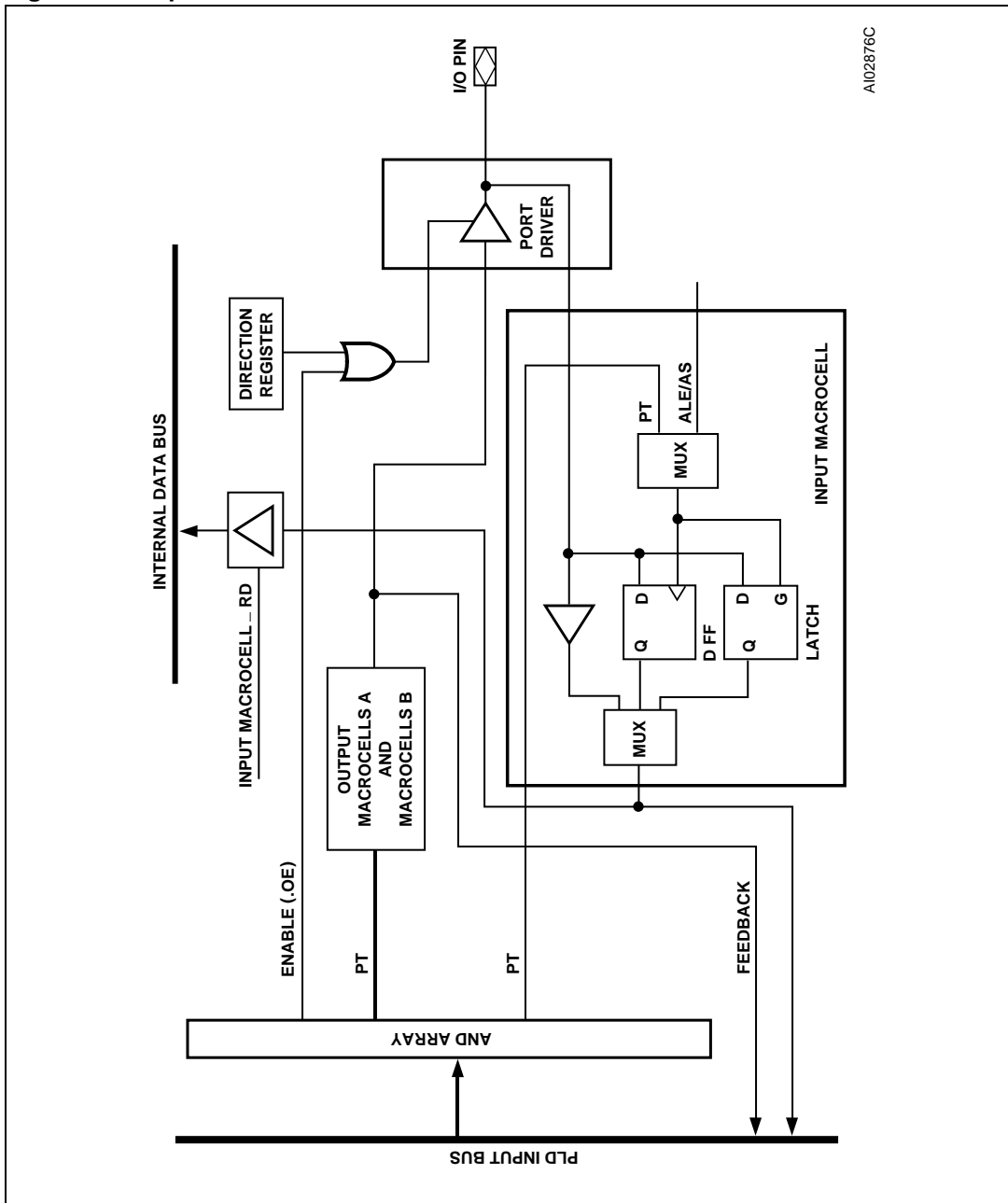
Input Macrocells (IMC) can use Address Strobe (ALE/AS, PD0) to latch address bits higher than A15. Any latched addresses are routed to the PLDs as inputs.

Input Macrocells (IMC) are particularly useful with handshaking communication applications where two processors pass data back and forth through a common mailbox. [Figure 17. on page 60](#) shows a typical configuration where the Master MCU writes to the Port A Data Out Register. This, in turn, can be read by the Slave MCU via the activation of the “Slave-Read” output enable product term.

The Slave can also write to the Port A Input Macrocells (IMC) and the Master can then read the Input Macrocells (IMC) directly.

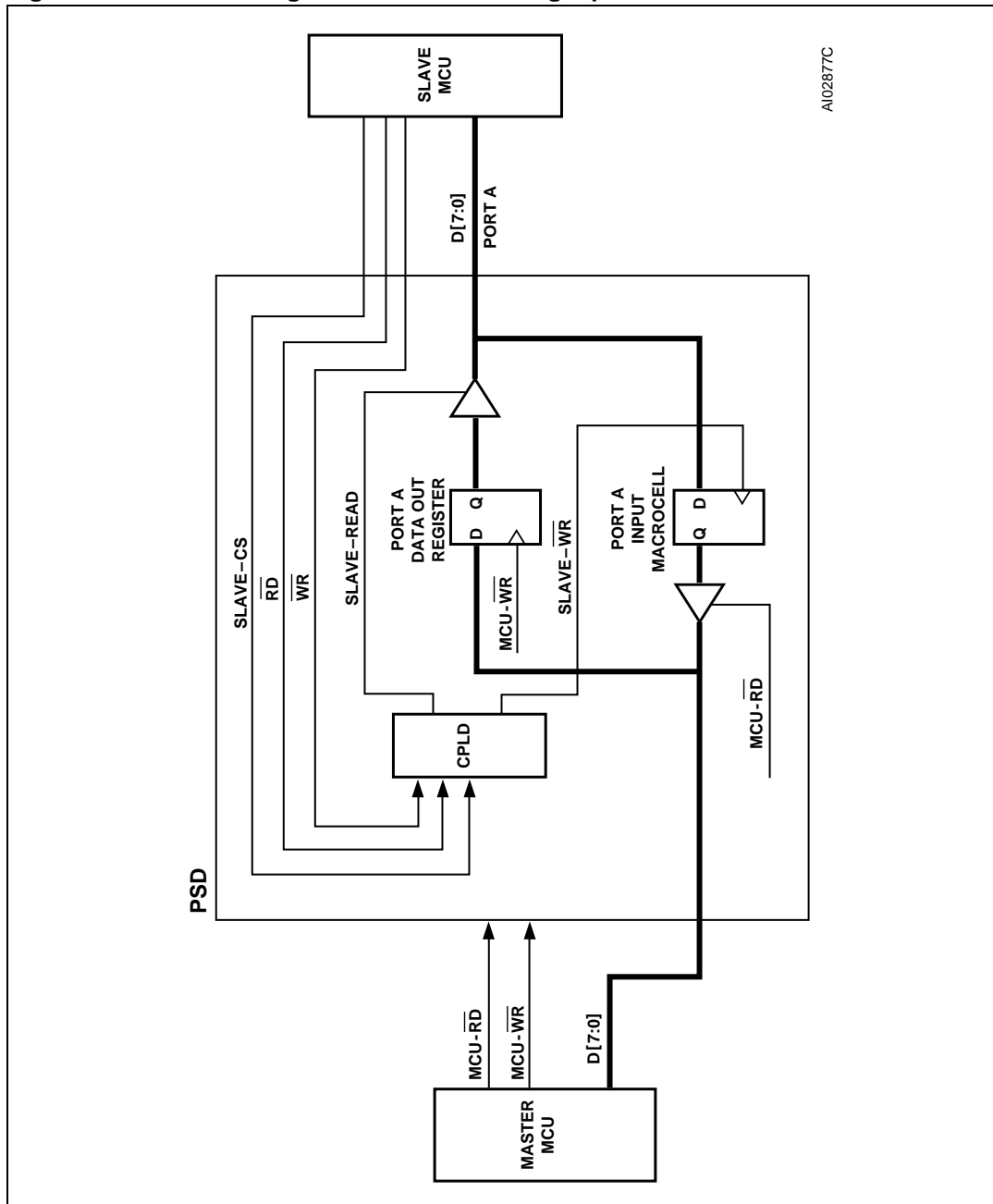
Note that the “Slave-Read” and “Slave-Wr” signals are product terms that are derived from the Slave MCU inputs Read Strobe (\overline{RD} , CNTL1), Write Strobe (\overline{WR} , CNTL0), and Slave_CS.

Figure 16. Input macrocell



A102876C

Figure 17. Handshaking communication using input macrocells

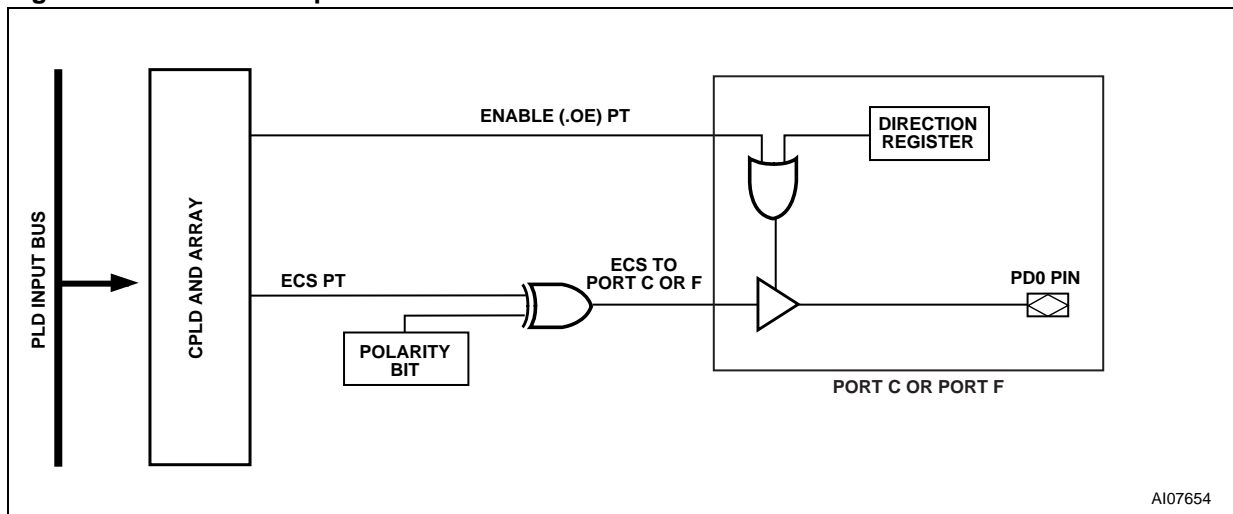


15.10 External chip

The CPLD also provides eight Chip Select outputs that can be used to select external devices. The Chip Selects can be routed to either Port C or Port F, depending on the pin declaration in the PSDsoft. Each Chip Select (ECS0-ECS7) consists of one product term that can be configured active High or Low.

The Output Enable of the pin is controlled by either the Output Enable product term or the Direction Register (See Figure 18).

Figure 18. External Chip Select



16 MCU bus interface

The “no-glue logic” MCU Bus Interface block can be directly connected to most popular MCUs and their control signals. Key 8-bit MCUs, with their bus types and control signals, are shown in Table 32. The interface type is specified using the PSDsoft.

Table 32. MCUs and their control signals

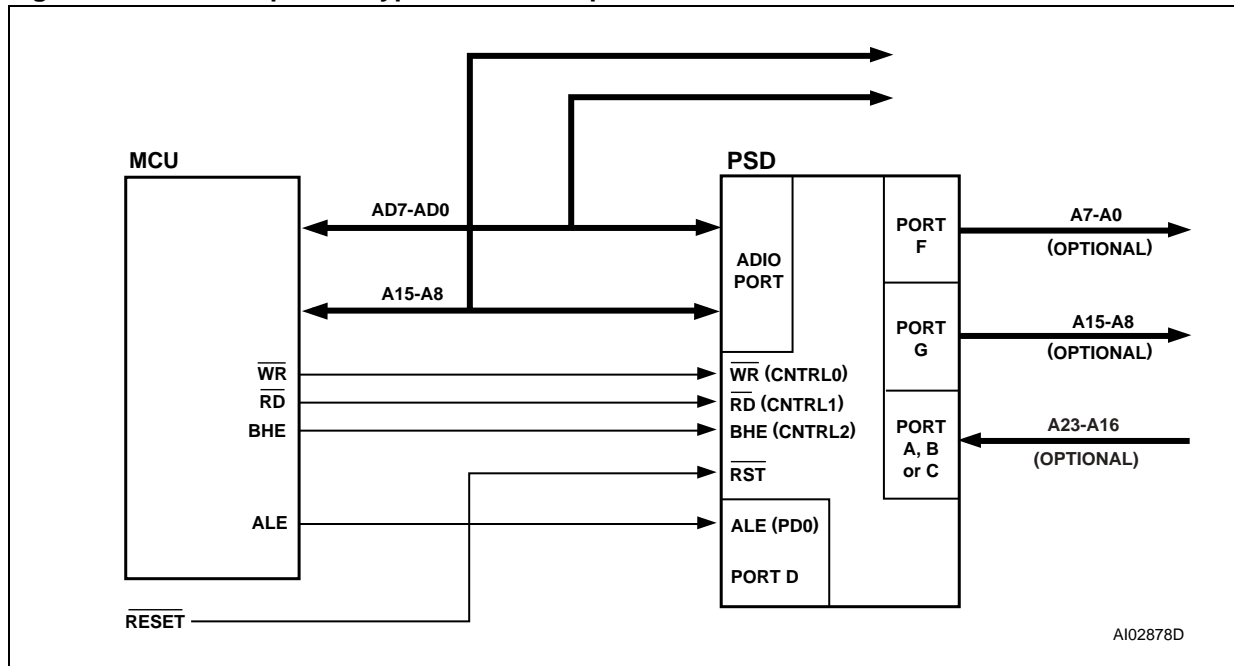
MCU	Data bus width	CNTL0	CNTL1	CNTL2	PC7	PD0 ⁽¹⁾	ADIO0	PA3-PA0	PA7-PA4
8031/8051	8	WR	RD	PSEN	(2)	ALE	A0	(2)	(2)
80C51XA	8	WR	RD	PSEN	(2)	ALE	A4	A3-A0	(2)
80C251	8	WR	PSEN	(2)	(2)	ALE	A0	(2)	(2)
80C251	8	WR	RD	PSEN	(2)	ALE	A0	(2)	(2)
80198	8	WR	RD	(2)	(2)	ALE	A0	(2)	(2)
68HC11	8	R/W	E	(2)	(2)	AS	A0	(2)	(2)
68HC05C0	8	WR	RD	(2)	(2)	AS	A0	(2)	(2)
68HC912	8	R/W	E	(2)	DBE	AS	A0	(2)	(2)
Z80	8	WR	RD	(2)	(2)	(2)	A0	D3-D0	D7-D4
Z8	8	R/W	DS	(2)	(2)	AS	A0	(2)	(2)
68330	8	R/W	DS	(2)	(2)	AS	A0	(2)	(2)
M37702M2	8	R/W	E	(2)	(2)	ALE	A0	D3-D0	D7-D4

1. ALE/AS input is optional for MCUs with a non-multiplexed bus.
2. Unused CNTL2 pin can be configured as PLD input. Other unused pins (PD3-PD0, PA3-PA0) can be configured for other I/O functions.

16.1 PSD interface to a multiplexed 8-bit bus

Figure 19 shows an example of a system using a MCU with an 8-bit multiplexed bus and a PSD. The ADIO port on the PSD is connected directly to the MCU address/data bus. Address Strobe (ALE/AS, PD0) latches the address signals internally. Latched addresses can be brought out to Port E, For G. The PSD drives the ADIO data bus only when one of its internal resources is accessed and Read Strobe (\overline{RD} , CNTL1) is active. Should the system address bus exceed sixteen bits, Ports A, B, C, or F may be used as additional address inputs.

Figure 19. An example of a typical 8-bit multiplexed bus interface



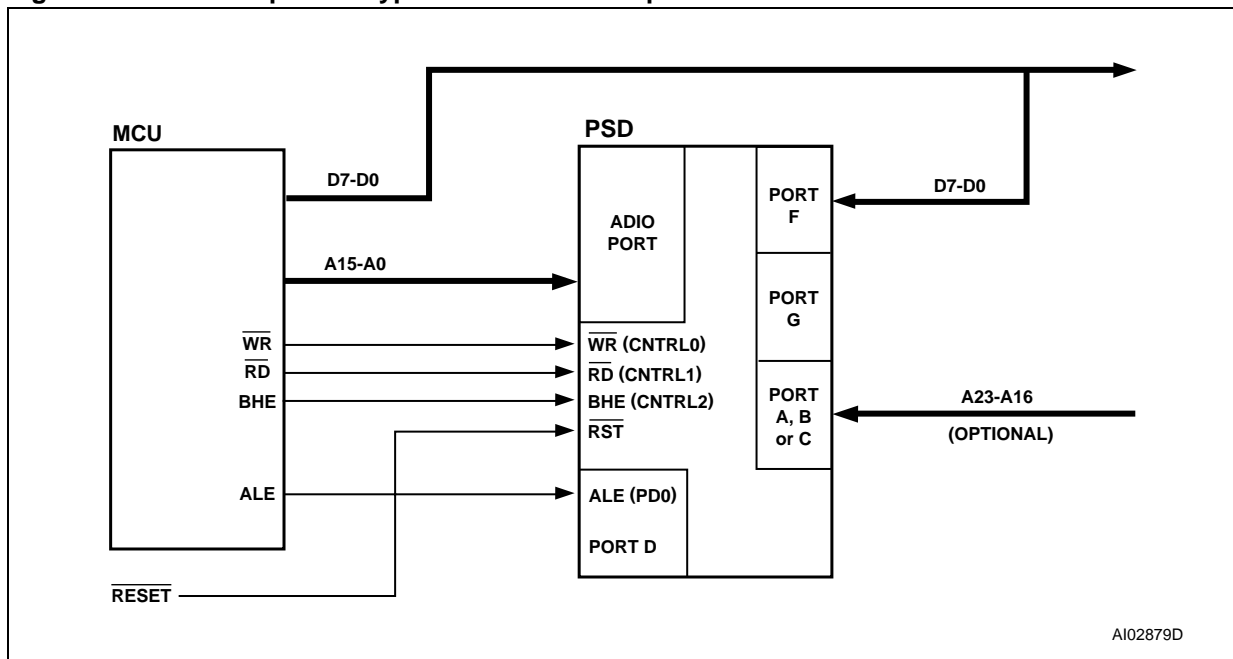
16.2 PSD Interface to a non-multiplexed 8-bit bus

Figure 20 shows an example of a system using a MCU with an 8-bit non-multiplexed bus and a PSD. The address bus is connected to the ADIO Port, and the data bus is connected to Port F. Port F is in tri-state mode when the PSD is not accessed by the MCU. Should the system address bus exceed sixteen bits, Ports A, B or C may be used for additional address inputs.

16.3 MCU bus interface examples

Figures 21 through 24 show examples of the basic connections between the PSD and some popular MCUs. The PSD Control input pins are labeled as to the MCU function for which they are configured. The MCU bus interface is specified using the PSDsoft.

Figure 20. An example of a typical 8-bit non-multiplexed bus interface

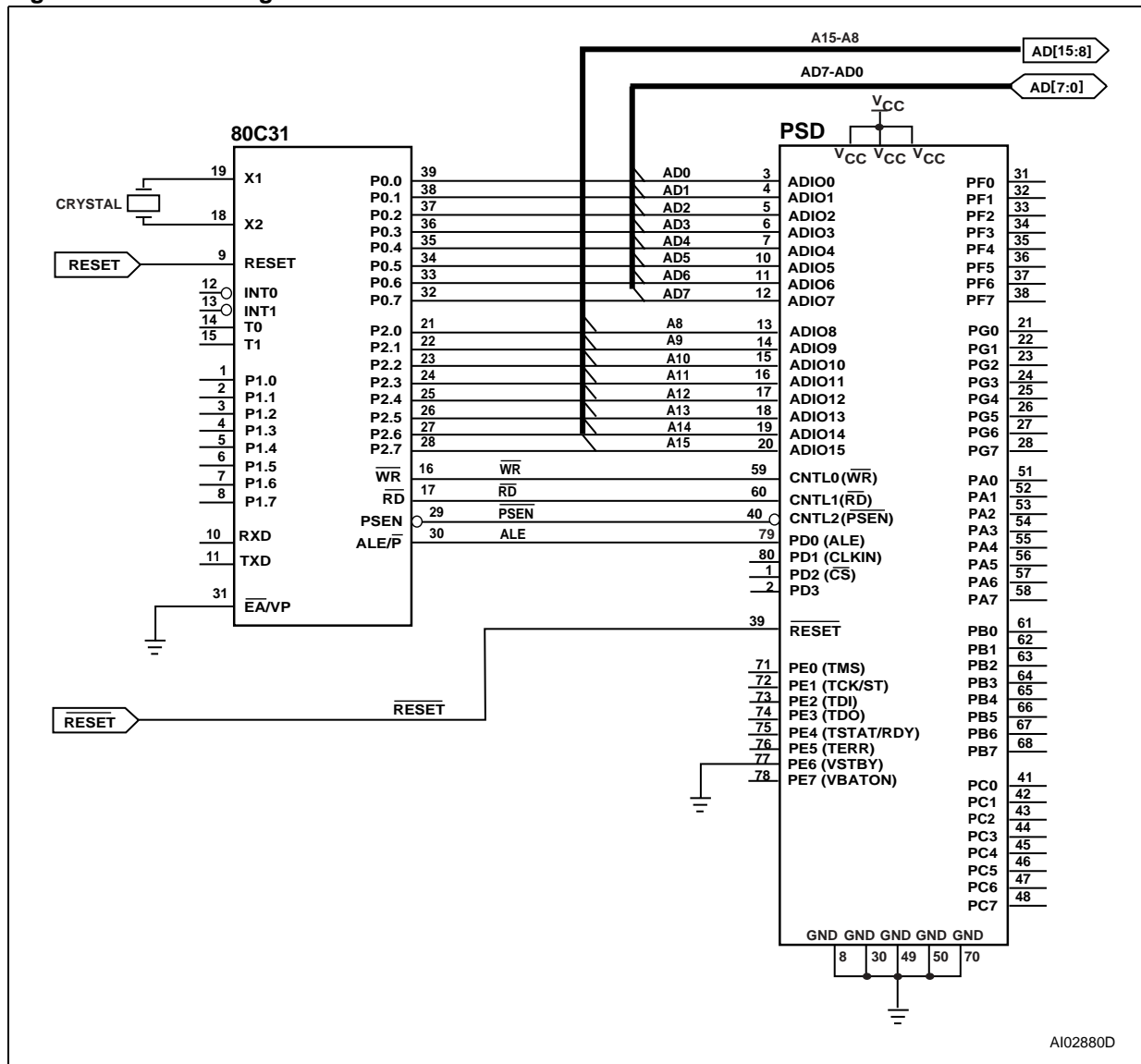


AI02879D

16.4 80C31

Figure 21 shows the bus interface for the 80C31, which has an 8-bit multiplexed address/data bus. The lower address byte is multiplexed with the data bus. The MCU control signals Program Select Enable (PSEN, CNTL2), Read Strobe (RD, CNTL1), and Write Strobe (WR, CNTL0) may be used for accessing the internal memory and I/O Ports blocks. Address Strobe (ALE/AS, PD0) latches the address.

Figure 21. Interfacing the PSD with an 80C31



16.5 80C251

The Intel 80C251 MCU features a user-configurable bus interface with four possible bus configurations, as shown in Table 33.

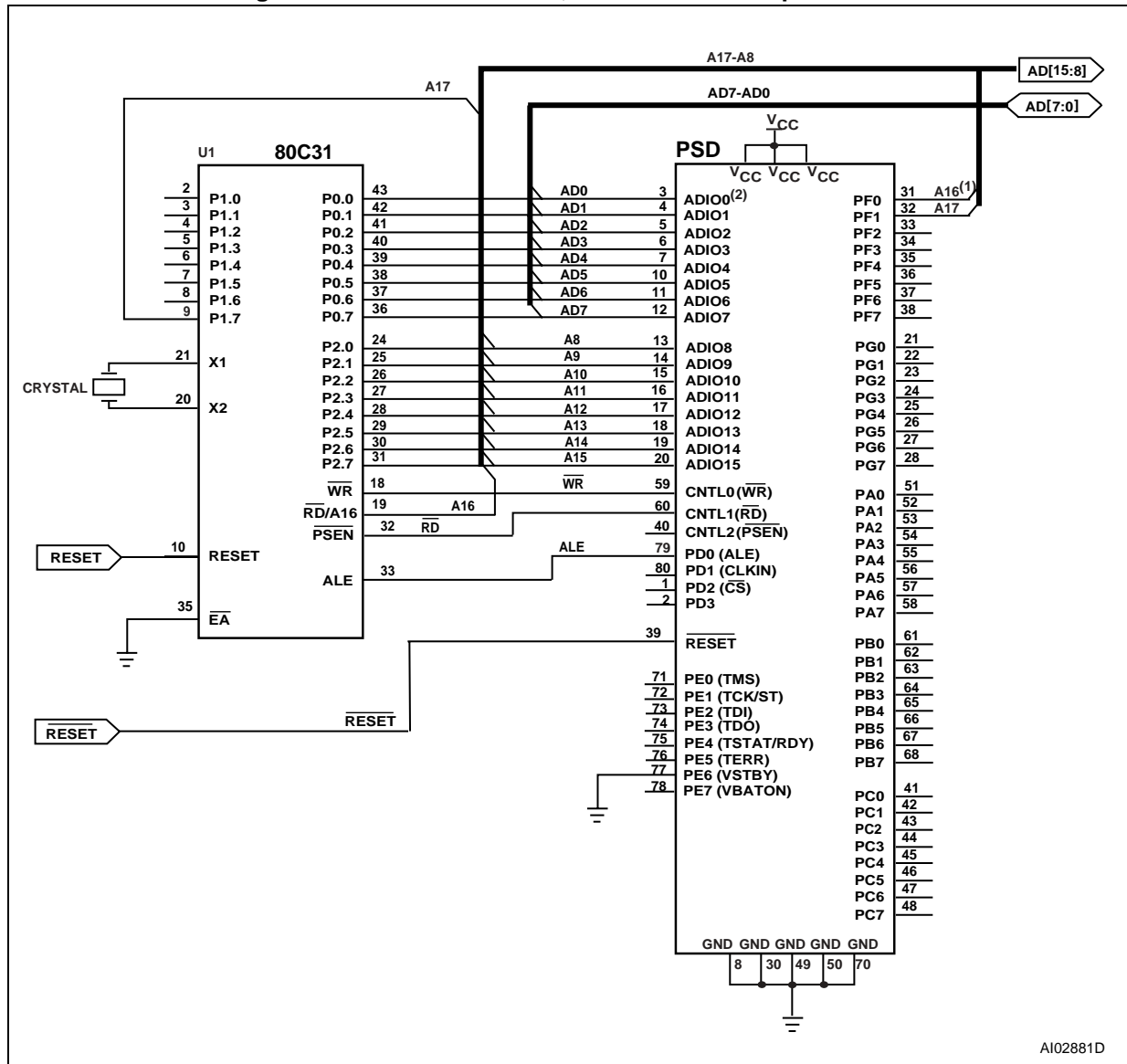
The first configuration is 80C31 compatible, and the bus interface to the PSD is identical to that shown in *Figure 21. on page 65*. The second and third configurations have the same bus connection as shown in *Table 34. on page 67*. There is only one Read Strobe (PSEN) connected to CNTL1 on the PSD. The A16 connection to PA0 allows for a larger address input to the PSD. The fourth configuration is shown in *Figure 22. on page 68*. Read Strobe (RD) is connected to CNTL1 and Program Select Enable (PSEN) is connected to CNTL2.

The 80C251 has two major operating modes: Page mode and Non-page mode. In Non-page mode, the data is multiplexed with the lower address byte, and Address Strobe (ALE/AS, PD0) is active in every bus cycle. In Page mode, data (D7-D0) is multiplexed with address (A15-A8). In a bus cycle where there is a Page hit, Address Strobe (ALE/AS, PD0) is not active and only addresses (A7-A0) are changing. The PSD supports both modes. In Page Mode, the PSD bus timing is identical to Non-Page Mode except the address hold time and setup time with respect to Address Strobe (ALE/AS, PD0) is not required. The PSD access time is measured from address (A7-A0) valid to data in valid.

Table 33. 80C251 configurations

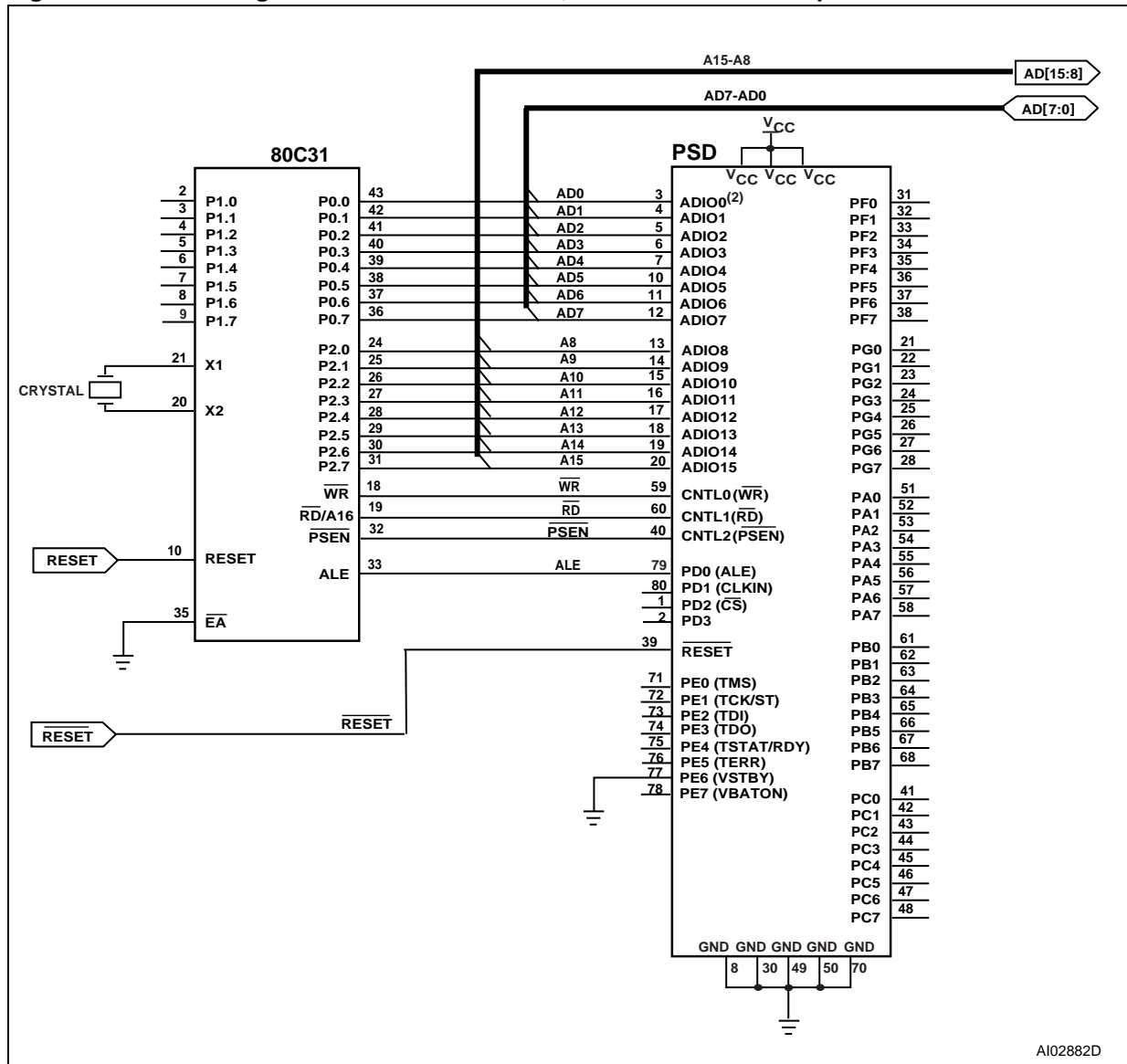
Configuration	80C251 READ/WRITE pins	Connecting to PSD pins	Page mode
1	WR RD PSEN	CNTL0 CNTL1 CNTL2	Non-Page Mode, 80C31 compatible A7-A0 multiplex with D7-D0
2	WR PSEN only	CNTL0 CNTL1	Non-Page Mode A7-A0 multiplex with D7-D0
3	WR PSEN only	CNTL0 CNTL1	Page Mode A15-A8 multiplex with D7-D0
4	WR RD PSEN	CNTL0 CNTL1 CNTL2	Page Mode A15-A8 multiplex with D7-D0

Table 34. Interfacing the PSD with the 80C251, with One READ Input



1. The A16 and A17 connections are optional.
2. In non-Page-Mode, AD7-AD0 connects to ADIO7-ADIO0.

Figure 22. Interfacing the PSD with the 80C251, with \overline{RD} and \overline{PSEN} inputs



AI02882D

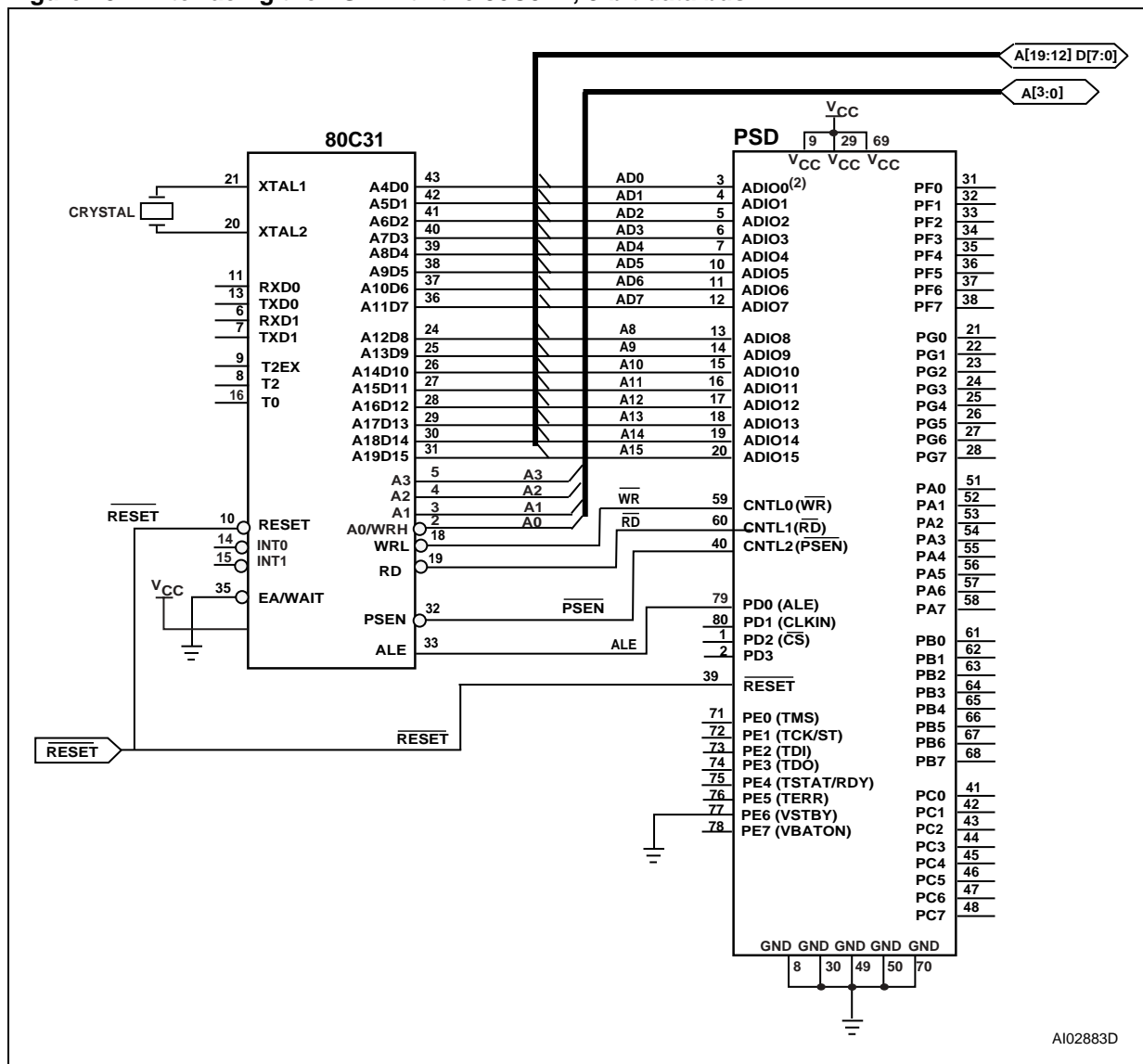
16.6 80C51XA

The Philips 80C51XA MCU family supports an 8- or 16-bit multiplexed bus that can have burst cycles. Address bits (A3-A0) are not multiplexed, while (A19-A4) are multiplexed with data bits (D15-D0) in 16-bit mode. In 8-bit mode, (A11-A4) are multiplexed with data bits (D7-D0).

The 80C51XA can be configured to operate in eight-bit data mode (as shown in Figure 23).

The 80C51XA improves bus throughput and performance by executing burst cycles for code fetches. In Burst Mode, address A19-A4 are latched internally by the PSD, while the 80C51XA changes the A3-A0 signals to fetch up to 16 bytes of code. The PSD access time is then measured from address A3-A0 valid to data in valid. The PSD bus timing requirement in Burst Mode is identical to the normal bus cycle, except the address setup and hold time with respect to Address Strobe (ALE/AS, PD0) does not apply.

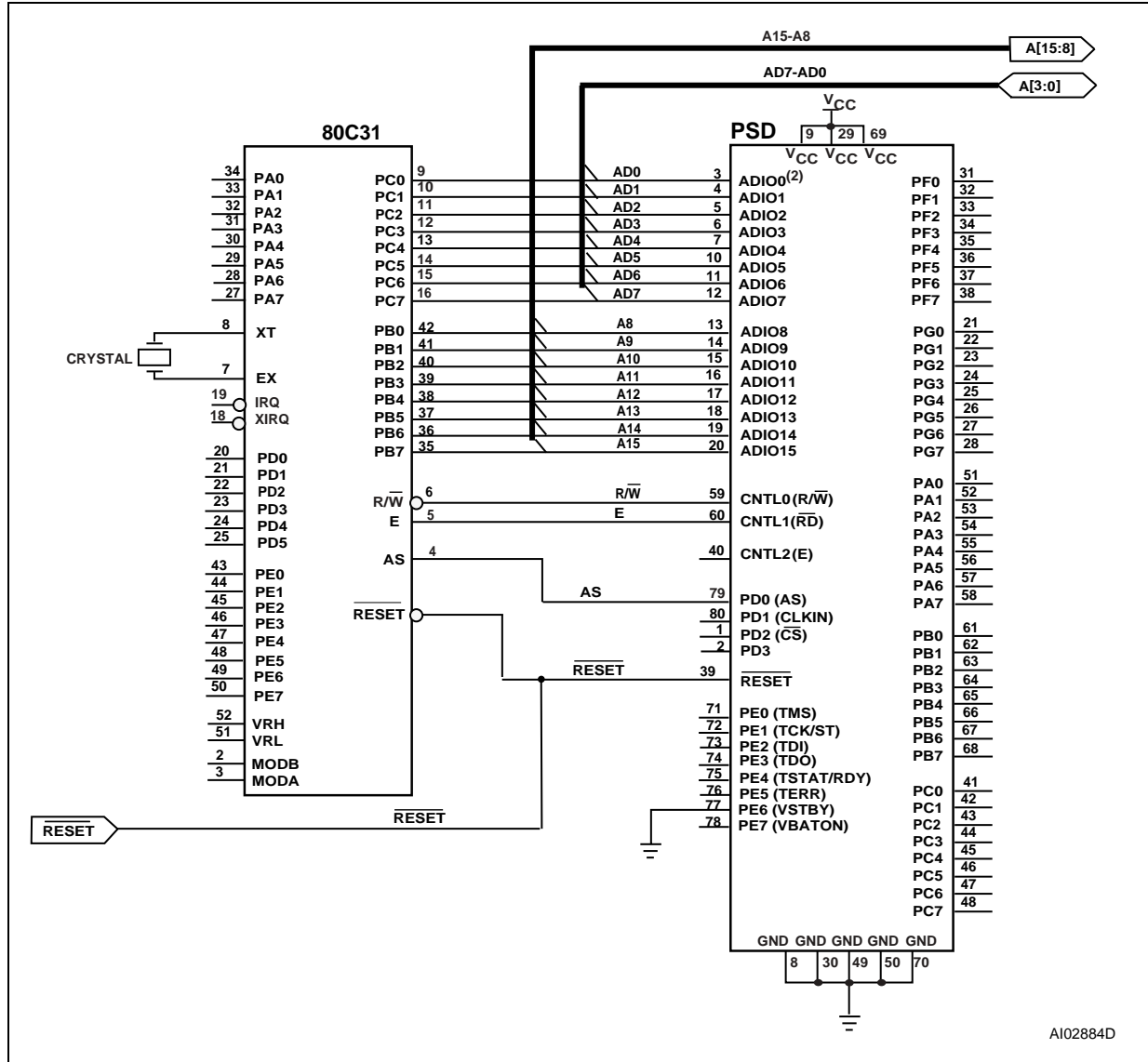
Figure 23. Interfacing the PSD with the 80C51X, 8-bit data bus



16.7 68HC11

Figure 24 shows a bus interface to a 68HC11 where the PSD is configured in 8-bit multiplexed mode with E and R/W settings. The DPLD can be used to generate the READ and WR signals for external devices.

Figure 24. Interfacing the PSD with a 68HC11



AI02884D

17 I/O ports

There are seven programmable I/O ports: Ports A, B, C, D, E and F. Each of the ports is eight bits except for Port D, which is 4 bits. Each port pin is individually user-configurable, thus allowing multiple functions per port. The ports are configured using PSDsoft or by the MCU writing to on-chip registers in the CSIOP space.

The topics discussed in this section are:

- General Port architecture
- Port operating modes
- Port Configuration Registers (PCR)
- Port Data Registers
- Individual Port functionality.

17.1 General port architecture

The general architecture of the I/O Port block is shown in [Figure 25. on page 72](#). Individual Port architectures are shown in [Figure 27. on page 80](#) to [Figure 29. on page 83](#). In general, once the purpose for a port pin has been defined, that pin is no longer available for other purposes. Exceptions are noted.

As shown in [Figure 25. on page 72](#), the ports contain an output multiplexer whose select signals are driven by the configuration bits in the Control Registers (Ports E, F and G only) and PSDsoft Configuration. Inputs to the multiplexer include the following:

- Output data from the Data Out register
- Latched address outputs
- CPLD macrocell output
- External Chip Select (ECS0-ECS2) from the CPLD.

The Port Data Buffer (PDB) is a tri-state buffer that allows only one source at a time to be read. The Port Data Buffer (PDB) is connected to the Internal Data Bus for feedback and can be read by the MCU. The Data Out and macrocell outputs, Direction and Control Registers, and port pin input are all connected to the Port Data Buffer (PDB).

The Port pin's tri-state output driver enable is controlled by a two input OR gate whose inputs come from the CPLD AND Array enable product term and the Direction Register. If the enable product term of any of the Array outputs is not defined and that port pin is not defined as a CPLD output in the PSDlabel file, then the Direction Register has sole control of the buffer that drives the port pin.

The contents of these registers can be altered by the MCU. The Port Data Buffer (PDB) feedback path allows the MCU to check the contents of the registers.

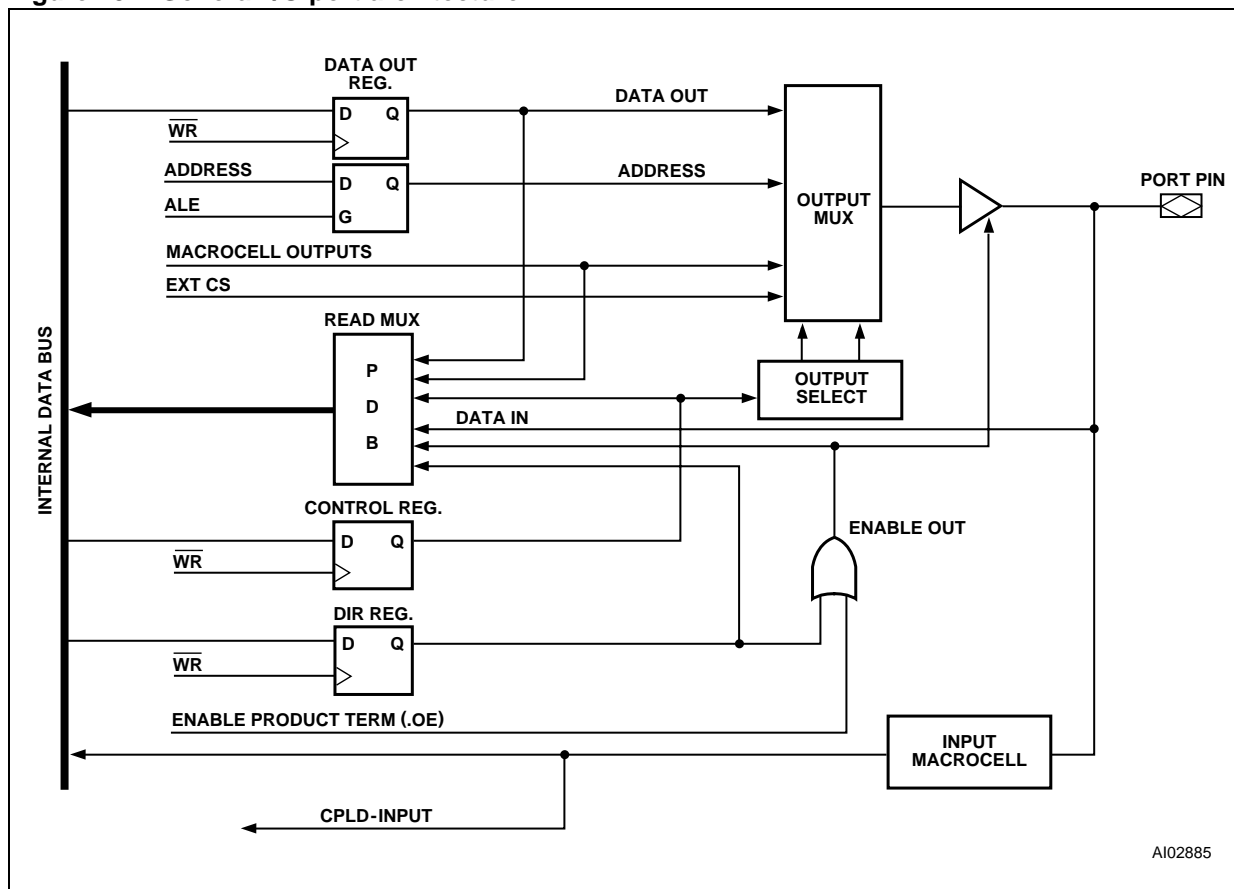
Ports A, B, and C have embedded Input Macrocells (IMC). The Input Macrocells (IMC) can be configured as latches, registers, or direct inputs to the PLDs. The latches and registers are clocked by Address Strobe (ALE/AS, PD0) or a product term from the PLD AND Array. The outputs from the Input Macrocells (IMC) drive the PLD input bus and can be read by the MCU. See [Input macrocells \(IMC\) on page 58](#).

17.2 Port operating modes

The I/O Ports have several modes of operation. Some modes can be defined using PSDabel, some by the MCU writing to the Registers in CSIOP space, and some by both. The modes that can only be defined using PSDsoft must be programmed into the device and cannot be changed unless the device is reprogrammed. The modes that can be changed by the MCU can be done so dynamically at run-time. The PLD I/O, Data Port, Address Input, Peripheral I/O and MCU Reset modes are the only modes that must be defined before programming the device. All other modes can be changed by the MCU at run-time.

[Table 35. on page 74](#) summarizes which modes are available on each port. [Table 38. on page 77](#) shows how and where the different modes are configured. Each of the port operating modes are described in the following sections.

Figure 25. General I/O port architecture



17.3 MCU I/O mode

In the MCU I/O mode, the MCU uses the I/O Ports block to expand its own I/O ports. By setting up the CSIOP space, the ports on the PSD are mapped into the MCU address space. The addresses of the ports are listed in [Table 5. on page 23](#).

A port pin can be put into MCU I/O mode by writing a '0' to the corresponding bit in the Control Register (Ports E, F and G). The MCU I/O direction may be changed by writing to the corresponding bit in the Direction Register, or by the output enable product term. See [Direction Register on page 77](#). When the pin is configured as an output, the content of the Data Out Register drives the pin. When configured as an input, the MCU can read the port input through the Data In buffer. See [Figure 25. on page 72](#).

Ports A, B and C do not have Control Registers, and are in MCU I/O mode by default. They can be used for PLD I/O if they are specified in PSDsoft.

17.4 PLD I/O mode

The PLD I/O Mode uses a port as an input to the CPLD's Input Macrocells (IMC), and/or as an output from the CPLD's Output Macrocells (OMC). The output can be tri-stated with a control signal. This output enable control signal can be defined by a product term from the PLD, or by resetting the corresponding bit in the Direction Register to '0.' The corresponding bit in the Direction Register must not be set to '1' if the pin is defined as a PLD input pin in PSDsoft. The PLD I/O mode is specified in PSDsoft by declaring the port pins, and then specifying an equation in PSDsoft.

17.5 Address Out mode

For MCUs with a multiplexed address/data bus, Address Out Mode can be used to drive latched addresses on to the port pins. These port pins can, in turn, drive external devices. Either the output enable or the corresponding bits of both the Direction Register and Control Register must be set to a '1' for pins to use Address Out Mode. This must be done by the MCU at run-time. See [Table 37. on page 75](#) for the address output pin assignments on Ports E, F and G for various MCUs.

Note: Do not drive address signals with Address Out Mode to an external memory device if it is intended for the MCU to Boot from the external device. The MCU must first Boot from PSD memory so the Direction and Control register bits can be set.

Table 35. Port operating modes

Port mode	Port A	Port B	Port C	Port D	Port E	Port F	Port G
MCU I/O	Yes	Yes	Yes	Yes	Yes	Yes	Yes
PLD I/O							
McellA Outputs	Yes	No	No	No	No	No	No
McellB Outputs	No	Yes	No	No	No	No	No
Additional Ext. CS Outputs	No	No	Yes	No	No	Yes	No
PLD Inputs	Yes	Yes	Yes	Yes	No	Yes	No
Address Out	No	No	No	No	Yes (A7-A0)	Yes (A7-A0)	Yes (A7-A0) or (A15-A8)
Address In	Yes	Yes	Yes	Yes	No	Yes	No
Data Port	No	No	No	No	No	Yes	No
Peripheral I/O	No	No	No	No	No	Yes	No
JTAG ISP	No	No	No	No	Yes ⁽¹⁾	No	No

1. Can be multiplexed with other I/O functions.

Table 36. Port operating mode settings⁽¹⁾

Mode	Defined in PSDsoft	Control Register setting	Direction Register setting	VM Register setting	JTAG Enable
MCU I/O	Declare pins only	0 ⁽²⁾	1 = output, 0 = input ⁽³⁾	N/A	N/A
PLD I/O	Declare pins and logic equations	N/A	⁽³⁾	N/A	N/A
Data Port (Port F)	Selected for MCU with non-mux bus	N/A	N/A	N/A	N/A
Address Out (Port E, F, G)	Declare pins only	1	1 ⁽³⁾	N/A	N/A
Address In (Port A,B,C,D, F)	Declare pins or logic equations for Input Macrocells	N/A	N/A	N/A	N/A
Peripheral I/O (Port F)	Logic equations (PSEL0 & 1)	N/A	N/A	PIO Bit = 1	N/A
JTAG ISP ⁽⁴⁾	Declare pins only	N/A	N/A	N/A	JTAG_Enable

1. N/A = Not Applicable

2. Control Register setting is not applicable to Ports A, B and C.

3. The direction of the Port A,B,C, and F pins are controlled by the Direction Register ORed with the individual output enable product term (.oe) from the CPLD AND Array.

4. Any of these three methods enables the JTAG pins on Port E.

Table 37. I/O port latched address output assignments⁽¹⁾

MCU	Port E (PE3-PE0)	Port E (PE7-PE4)	Port F (PF3-PF0)	Port F (PF7-PF4)	Port G (PG3-PG0)	Port G (PG7-PG4)
8051XA	N/A	Address (A7-A4)	N/A ¹	Address (A7-A4)	Address (A11-A8)	Address (A15-A12)
80C251 (Page Mode)	N/A	N/A	N/A	N/A	Address (A11-A8)	Address (A7-A4)
All Other 8-Bit Multiplexed	Address (A3-A0)	Address (A7-A4)	Address (A3-A0)	Address (A7-A4)	Address (A3-A0)	Address (A7-A4)
8-Bit Non-Multiplexed Bus	N/A	N/A	N/A	N/A	Address (A3-A0)	Address (A7-A4)

1. N/A = Not Applicable.

17.6 Address In mode

For MCUs that have more than 16 address signals, the higher addresses can be connected to Port A, B, C, D or F and are routed as inputs to the PLDs. The address input can be latched in the Input Macrocell (IMC) by Address Strobe (ALE/AS, PD0). Any input that is included in the DPLD equations for the SRAM, or primary or secondary Flash memory is considered to be an address input.

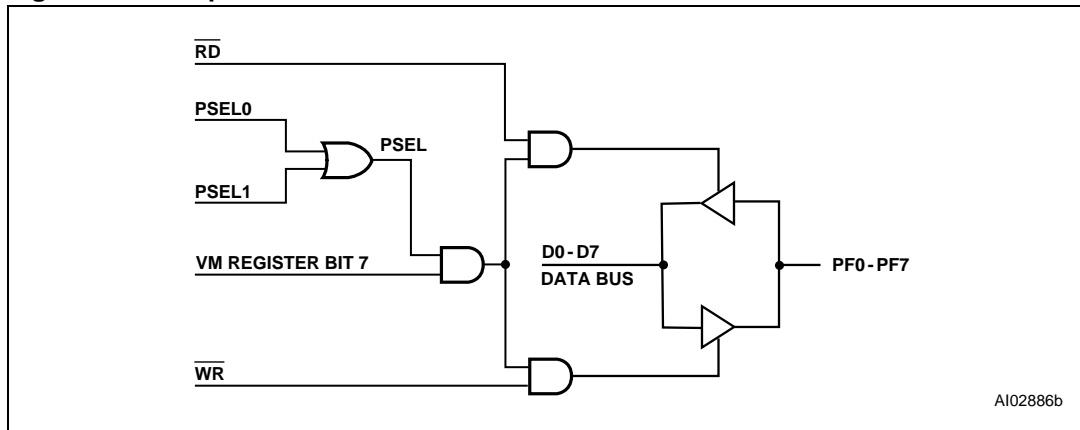
17.7 Data Port mode

Port F can be used as a data bus port for an MCU with a non-multiplexed address/data bus. The Data Port is connected to the data bus of the MCU. The general I/O functions are disabled in Port F if the port is configured as a Data Port. Data Port Mode is automatically configured in PSDsoft when a non-multiplexed bus MCU is selected.

17.8 Peripheral I/O mode

Peripheral I/O mode can be used to interface with external 8-bit peripherals. In this mode, all of Port F serves as a tri-state, bi-directional data buffer for the MCU. Peripheral I/O Mode is enabled by setting Bit 7 of the VM Register to a '1.' Figure 26 shows how Port A acts as a bi-directional buffer for the MCU data bus if Peripheral I/O Mode is enabled. An equation for PSEL0 and/or PSEL1 must be written in PSDsoft. The buffer is tri-stated when PSEL0 or PSEL1 is not active.

Figure 26. Peripheral I/O mode



17.9 JTAG in-system programming (ISP)

Port E is JTAG compliant, and can be used for In-System Programming (ISP). You can multiplex JTAG operations with other functions on Port E because In-System Programming (ISP) is not performed in normal Operating mode. For more information on the JTAG Port, see [Programming in-circuit using the JTAG/ISP interface on page 91](#).

17.10 Port Configuration Registers (PCR)

Each Port has a set of Port Configuration Registers (PCR) used for configuration. The contents of the registers can be accessed by the MCU through normal READ/WRITE bus cycles at the addresses given in [Table 5. on page 23](#). The addresses in [Table 5](#) are the offsets in hexadecimal from the base of the CSIOP register.

The pins of a port are individually configurable and each bit in the register controls its respective pin. For example, Bit 0 in a register refers to Bit 0 of its port. The three Port Configuration Registers (PCR), shown in [Table 38](#), are used for setting the Port configurations. The default Power-up state for each register in [Table 38](#) is 00h.

17.11 Control Register

Any bit reset to '0' in the Control Register sets the corresponding port pin to MCU I/O Mode, and a '1' sets it to Address Out Mode. The default mode is MCU I/O. Only Ports E, F and G have an associated Control Register.

17.12 Direction Register

The Direction Register, in conjunction with the output enable (except for Port D), controls the direction of data flow in the I/O Ports. Any bit set to '1' in the Direction Register causes the corresponding pin to be an output, and any bit set to '0' causes it to be an input. The default mode for all port pins is input.

Figure 27. on page 80 and *Figure 28. on page 81* show the Port Architecture diagrams for Ports A/B/C and E/F/G, respectively. The direction of data flow for Ports A, B, C and F are controlled not only by the direction register, but also by the output enable product term from the PLD AND Array. If the output enable product term is not active, the Direction Register has sole control of a given pin's direction.

An example of a configuration for a Port with the three least significant bits set to output and the remainder set to input is shown in *Table 41*. Since Port D only contains four pins (shown in *Figure 28. on page 81*), the Direction Register for Port D has only the four least significant bits active.

17.13 Drive Select Register

The Drive Select Register configures the pin driver as Open Drain or CMOS for some port pins, and controls the slew rate for the other port pins. An external pull-up resistor should be used for pins configured as Open Drain.

A pin can be configured as Open Drain if its corresponding bit in the Drive Select Register is set to a '1.' The default pin drive is CMOS.

Note that the slew rate is a measurement of the rise and fall times of an output. A higher slew rate means a faster output response and may create more electrical noise. A pin operates at a high slew rate when the corresponding bit in the Drive Register is set to '1.' The default rate is slow slew.

Table 42. on page 78 shows the Drive Register for Ports A, B, C, D, E and F. It summarizes which pins can be configured as Open Drain outputs and which pins the slew rate can be set for.

Table 38. Port Configuration Registers (PCR)

Register Name	Port	MCU Access
Control	E, F, G	WRITE/READ
Direction	A,B,C,D, E, F, G	WRITE/READ
Drive Select ⁽¹⁾	A,B,C,D, E, F, G	WRITE/READ

1. See *Table 42. on page 78* for Drive Register bit definition.

Table 39. Port pin direction control, Output Enable P.T. not defined

Direction Register bit	Port pin mode
0	Input
1	Output

Table 40. Port pin direction control, Output Enable P.T. defined

Direction Register bit	Output Enable P.T.	Port pin mode
0	0	Input
0	1	Output
1	0	Output
1	1	Output

Table 41. Port direction assignment example

Bit 7	Bit 6	Bit 5	Bit 4	Bit 3	Bit 2	Bit 1	Bit 0
0	0	0	0	0	1	1	1

Table 42. Drive Register pin assignment

Drive Register	Bit 7	Bit 6	Bit 5	Bit 4	Bit 3	Bit 2	Bit 1	Bit 0
Port A	Open Drain	Open Drain	Open Drain	Open Drain	Open Drain	Open Drain	Open Drain	Open Drain
Port B	Open Drain	Open Drain	Open Drain	Open Drain	Open Drain	Open Drain	Open Drain	Open Drain
Port C	Slew Rate	Slew Rate	Slew Rate	Slew Rate	Slew Rate	Slew Rate	Slew Rate	Slew Rate
Port D	NA ⁽¹⁾	NA ⁽¹⁾	NA ⁽¹⁾	NA ⁽¹⁾	Open Drain	Open Drain	Open Drain	Open Drain
Port E	Open Drain	Open Drain	Open Drain	Open Drain	Open Drain	Open Drain	Open Drain	Open Drain
Port F	Slew Rate	Slew Rate	Slew Rate	Slew Rate	Slew Rate	Slew Rate	Slew Rate	Slew Rate
Port G	Open Drain	Open Drain	Open Drain	Open Drain	Open Drain	Open Drain	Open Drain	Open Drain

1. NA = Not Applicable.

17.14 Port Data Registers

The Port Data Registers, shown in Table 43, are used by the MCU to write data to or read data from the ports. Table 43 shows the register name, the ports having each register type, and MCU access for each register type. The registers are described below.

17.15 Data In

Port pins are connected directly to the Data In buffer. In MCU I/O input mode, the pin input is read through the Data In buffer.

17.16 Data Out Register

Stores output data written by the MCU in the MCU I/O output mode. The contents of the Register are driven out to the pins if the Direction Register or the output enable product term is set to '1.' The contents of the register can also be read back by the MCU.

17.17 Output macrocells (OMC)

The CPLD Output Macrocells (OMC) occupy a location in the MCU's address space. The MCU can read the output of the Output Macrocells (OMC). If the OMC Mask Register bits are not set, writing to the macrocell loads data to the macrocell flip-flops. See [PLDs on page 49](#).

17.18 OMC Mask Register

Each OMC Mask Register bit corresponds to an Output Macrocell (OMC) flip-flop. When the OMC Mask Register bit is set to a '1,' loading data into the Output Macrocell (OMC) flip-flop is blocked. The default value is 0 or unblocked.

Table 43. Port Data Registers

Register name	Port	MCU Access
Data In	A, B, C, D, E, F, G	READ – input on pin
Data Out	A, B, C, D, E, F, G	WRITE/READ
Output Macrocell	A, B	READ – outputs of macrocells WRITE – loading macrocell flip-flops
Mask Macrocell	A, B	WRITE/READ – prevents loading into a given macrocell
Input Macrocell	A, B, C	READ – outputs of the Input Macrocells
Enable Out	A, B, C, F	READ – the output enable control of the port driver

17.19 Input macrocells (IMC)

The Input Macrocells (IMC) can be used to latch or store external inputs. The outputs of the Input Macrocells (IMC) are routed to the PLD input bus, and can be read by the MCU. See [PLDs on page 49](#).

17.20 Enable Out

The Enable Out register can be read by the MCU. It contains the output enable values for a given port. A '1' indicates the driver is in output mode. A '0' indicates the driver is in tri-state and the pin is in input mode.

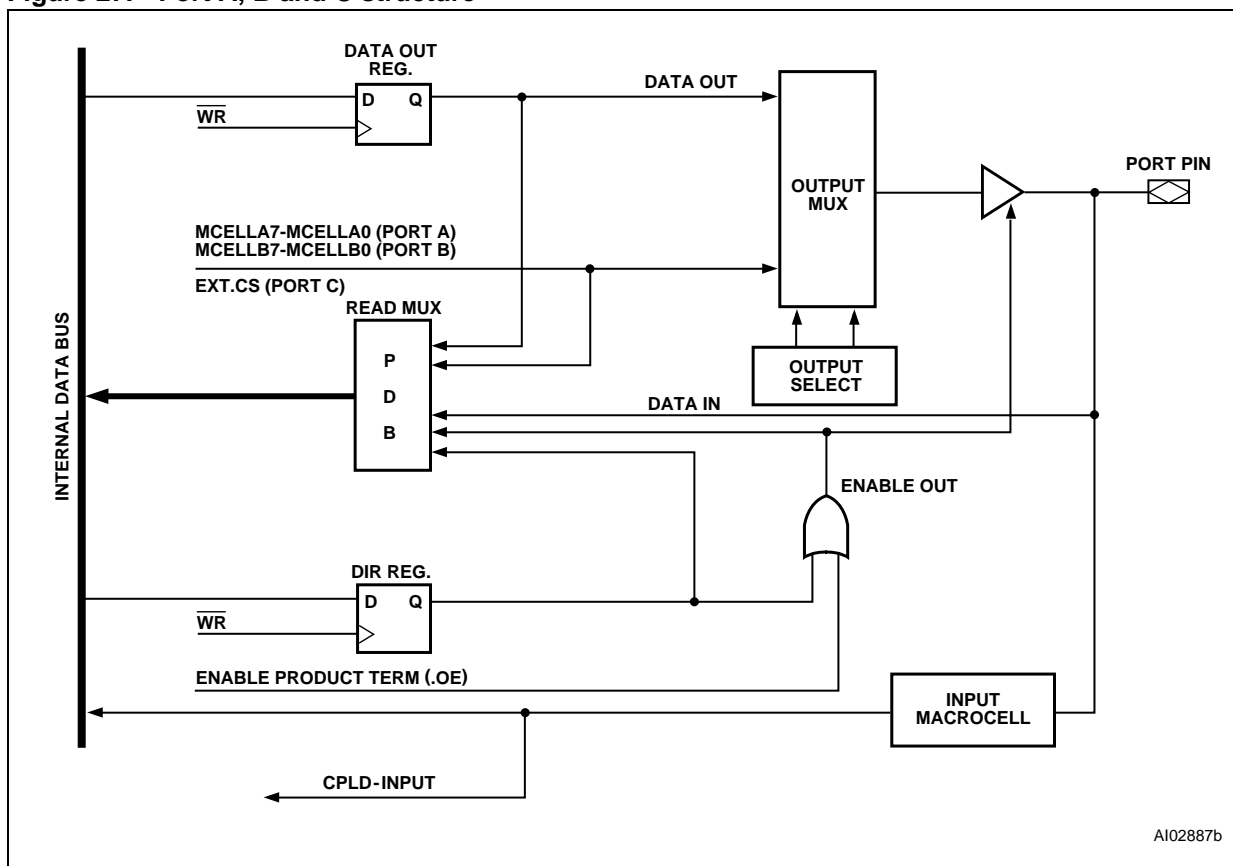
17.21 Ports A, B and C – functionality and structure

Ports A and B have similar functionality and structure, as shown in Figure 27.

The two ports can be configured to perform one or more of the following functions:

- MCU I/O Mode
- CPLD Output – Macrocells McellA7-McellA0 can be connected to Port A, McellB7-McellB0 can be connected to Port B, External Chip Select ECS7-ECS0 can be connected to Port C.
- CPLD Input – Via the Input Macrocells (IMC).
- Address In – Additional high address inputs using the Input Macrocells (IMC).
- Open Drain/Slew Rate – pins PC7-PC0 can be configured to fast slew rate, pins PA7-PA0 and PB7-PB0 can be configured to Open Drain Mode.

Figure 27. Port A, B and C structure



17.22 Port D – functionality and structure

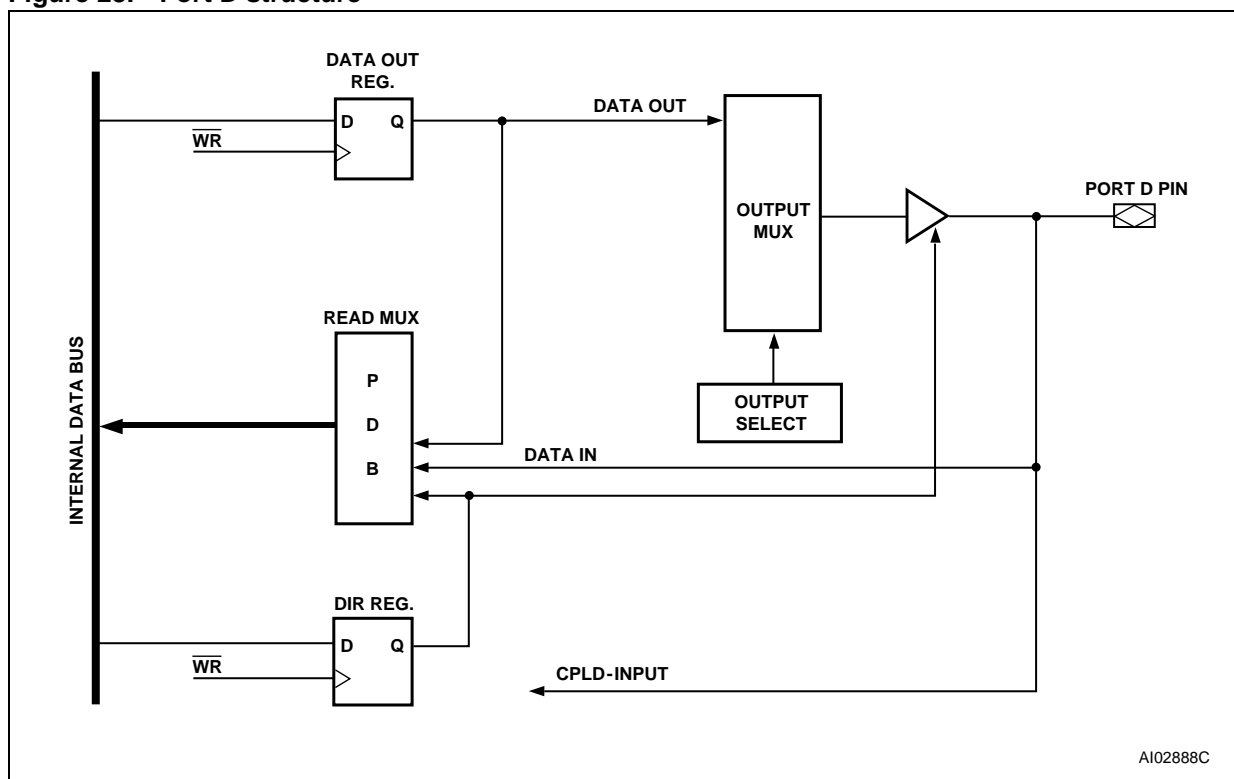
Port D has four I/O pins. It can be configured to program one or more of the following functions (see Figure 28):

- MCU I/O Mode
- CPLD Input – direct input to CPLD, no Input Macrocell (IMC).

Port D pins can be configured in PSDsoft as input pins for other dedicated functions:

- PD0 – ALE, as Address Strobe input.
- PD1 – CLKIN, as Clock input to the Macrocell flip-flops and APD counter.
- PD2 – CSI, as active Low Chip Select input. A High input will disable the Flash/SRAM memories and the CSIOP.
- PD3 – as DBE input from 68HC912.

Figure 28. Port D structure



17.23 Port E – functionality and structure

Port E can be configured to perform one or more of the following functions:

- MCU I/O Mode
- In-System Programming – JTAG port can be enabled for programming/erase of the PSD device. Refer to [Programming in-circuit using the JTAG/ISP interface on page 91](#) for more information.
- Open Drain – Port E pins can be configured in Open Drain Mode.
- Battery Backup features – PE6 can be configured as a Battery Input (V_{STBY}) pin. PE7 can be configured as a Battery On Indicator output pin, indicating when V_{CC} is less than V_{BAT} .
- Latched Address Output – Provided latched address (A7-A0) output.

17.24 Port F – functionality and structure

Port F can be configured to perform one or more of the following functions:

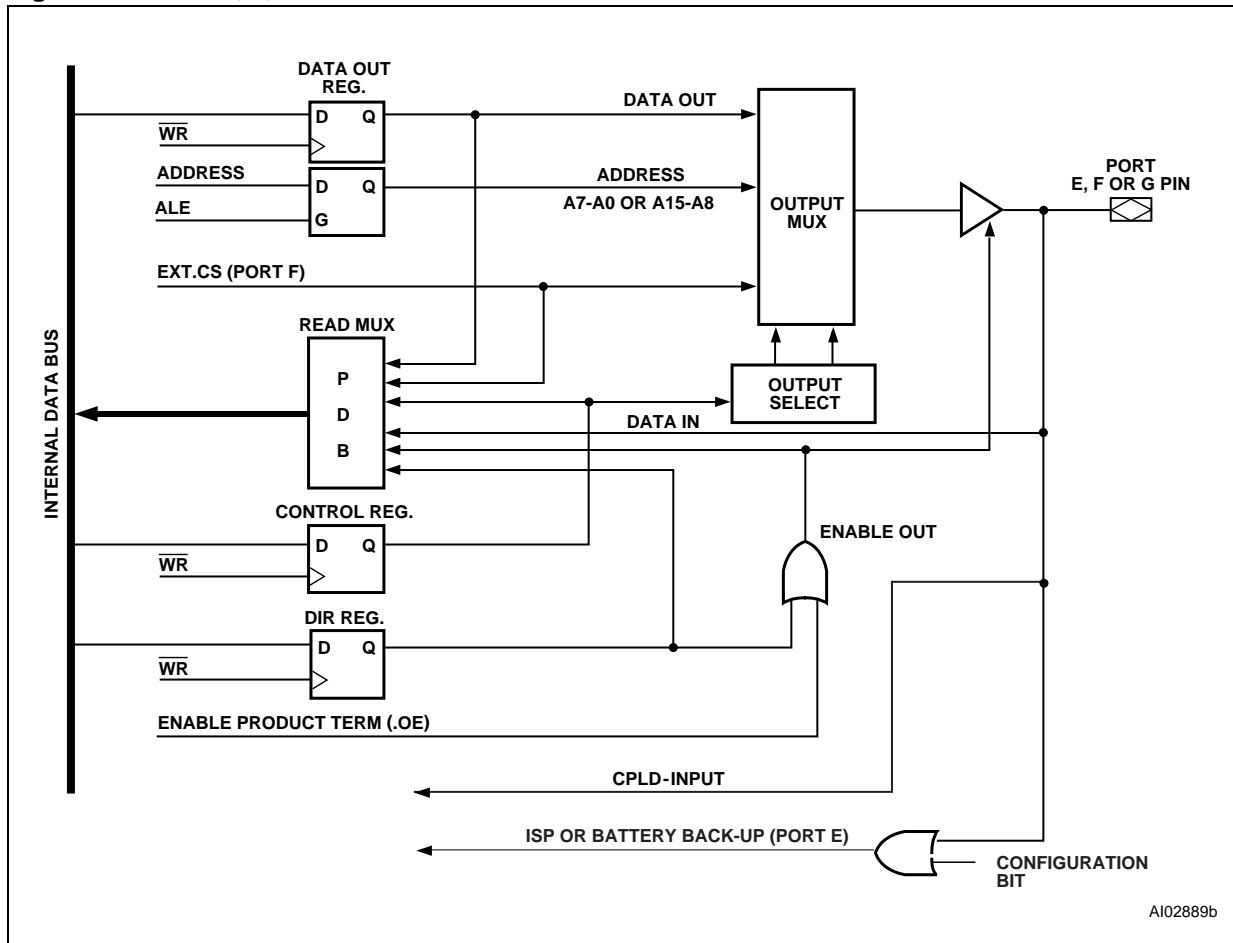
- MCU I/O Mode
- CPLD Output – External Chip Select ECS7-ECS0 can be connected to Port F (or Port C).
- CPLD Input – as direct input of the CPLD array.
- Address In – addition high address inputs. Direct input to the CPLD array, no Input Macrocell (IMC) latching is available.
- Latched Address Out – Provide latched address out per [Table 47. on page 90](#).
- Slew Rate – pins can be set up for fast slew rate.
- Data Port – connected to D7-D0 when Port F is configured as Data Port for a non-multiplexed bus.
- Peripheral I/O Mode.

17.25 Port G – functionality and structure

Port G can be configured to perform one or more of the following functions:

- MCU I/O Mode
- Latched Address Out – Provide latched address out per [Table 47. on page 90](#).
- Open Drain – pins can be configured in Open Drain Mode.

Figure 29. Port E, F, G structure



18 Power management

The PSD835G2 offers configurable power saving options. These options may be used individually or in combinations, as follows:

- All memory blocks in a PSD (primary and secondary Flash memory, and SRAM) are built with Power Management technology. In addition to using special silicon design methodology, power management technology puts the memories into standby mode when address/data inputs are not changing (zero DC current). As soon as a transition occurs on an input, the affected memory “wakes up”, changes and latches its outputs, then goes back to standby. The designer does *not* have to do anything special to achieve memory standby mode when no inputs are changing—it happens automatically.

The PLD sections can also achieve Stand-by mode when its inputs are not changing, as described in the sections on the Power Management Mode Registers (PMMR).

- As with the Power Management mode, the Automatic Power Down (APD) unit allows the PSD to reduce to standby current automatically. The APD Unit can also block MCU address/data signals from reaching the memories and PLDs. This feature is available on all the devices of the PSD family. The APD Unit is described in more detail in [Automatic Power-down \(APD\) unit and Power-down mode on page 85](#).

Built-in logic monitors the Address Strobe of the MCU for activity. If there is no activity for a certain time period (MCU is asleep), the APD Unit initiates Power-down mode (if enabled). Once in Power-down mode, all address/data signals are blocked from reaching PSD memory and PLDs, and the memories are deselected internally. This allows the memory and PLDs to remain in standby mode even if the address/data signals are changing state externally (noise, other devices on the MCU bus, etc.). Keep in mind that any unblocked PLD input signals that are changing states keep the PLD out of Stand-by mode, but not the memories.

- PSD Chip Select Input ($\overline{CS1}$, PD2) can be used to disable the internal memories, placing them in standby mode even if inputs are changing. This feature does not block any internal signals or disable the PLDs. This is a good alternative to using the APD Unit. There is a slight penalty in memory access time when PSD Chip Select Input ($\overline{CS1}$, PD2) makes its initial transition from deselected to selected.
- The PMMRs can be written by the MCU at run-time to manage power. All PSD devices support “blocking bits” in these registers that are set to block designated signals from reaching both PLDs. Current consumption of the PLDs is directly related to the composite frequency of the changes on their inputs (see [Figure 33. on page 93](#)). Significant power savings can be achieved by blocking signals that are not used in PLD logic equations at run-time. PSDsoft creates a fuse map that automatically blocks the low address Byte (A7-A0) or the Control signals (CNTL0-CNTL2, ALE and WRH/DBE) if none of these signals are used in PLD logic equations.

PSD devices have a Turbo Bit in PMMR0. This bit can be set to turn the Turbo mode off (the default is with Turbo mode turned on). While Turbo mode is off, the PLDs can achieve standby current when no PLD inputs are changing (zero DC current). Even when inputs do change, significant power can be saved at lower frequencies (AC current), compared to when Turbo mode is on. When the Turbo mode is on, there is a significant DC current component and the AC component is higher.

18.1 Automatic Power-down (APD) unit and Power-down mode

The APD Unit, shown in Figure 30, puts the PSD into Power-down mode by monitoring the activity of Address Strobe (ALE/AS, PD0). If the APD Unit is enabled, as soon as activity on Address Strobe (ALE/AS, PD0) stops, a four-bit counter starts counting. If Address Strobe (ALE/AS, PD0) remains inactive for fifteen clock periods of CLKIN (PD1), Power-down (PDN) goes High, and the PSD enters Power-down mode, as discussed next.

18.1.1 Power-down mode

By default, if you enable the APD Unit, Power-down mode is automatically enabled. The device enters Power-down mode if Address Strobe (ALE/AS, PD0) remains inactive for fifteen periods of CLKIN (PD1).

The following should be kept in mind when the PSD is in Power-down mode:

- If Address Strobe (ALE/AS, PD0) starts pulsing again, the PSD returns to normal Operating mode. The PSD also returns to normal Operating mode if either PSD Chip Select Input (\overline{CS} , PD2) is Low or the Reset (\overline{RESET}) input is High.
- The MCU address/data bus is blocked from all memories and PLDs.
- Various signals can be blocked (prior to Power-down mode) from entering the PLDs by setting the appropriate bits in the PMMR registers. The blocked signals include MCU control signals and the common CLKIN (PD1). Note that blocking CLKIN (PD1) from the PLDs does not block CLKIN (PD1) from the APD Unit.
- All PSD memories enter Standby mode and are drawing standby current. However, the PLD and I/O ports blocks do *not* go into Standby Mode because you don't want to have to wait for the logic and I/O to "wake-up" before their outputs can change. See Table 44 for Power-down mode effects on PSD ports.
- Typical standby current is of the order of microamperes. These standby current values assume that there are no transitions on any PLD input.

Table 44. Power-down mode's effect on ports

Port function	Pin level
MCU I/O	No change
PLD Out	No change
Address Out	Undefined
Data Port	Tri-state
Peripheral I/O	Tri-state

Figure 30. APD unit

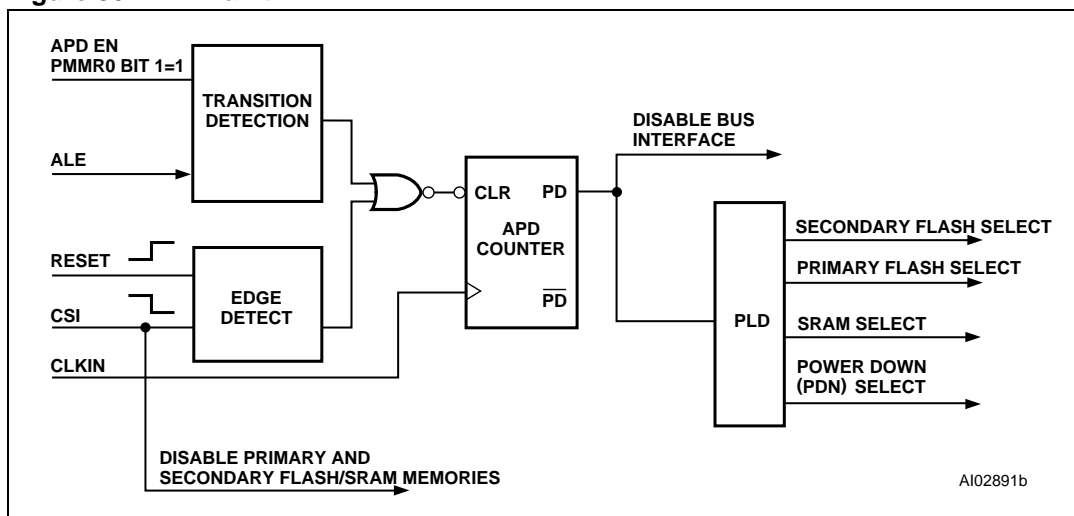


Table 45. PSD timing and Standby current during Power-down mode

Mode	PLD propagation delay	Memory access time	Access recovery time to normal access	5V V _{CC} typical Standby current
Power-down	Normal t _{PD} ⁽¹⁾	No Access	t _{LVDV}	50 μA ⁽²⁾

1. Power-down does not affect the operation of the PLD. The PLD operation in this mode is based only on the Turbo Bit.
2. Typical current consumption assuming no PLD inputs are changing state and the PLD Turbo Bit is '0'.

18.2 Other power saving options

The PSD offers other reduced power saving options that are independent of the Power-down mode. Except for the SRAM Standby and Chip Select Input (\overline{CSI} , PD2) features, they are enabled by setting bits in the PMMR0 and PMMR2 registers (see [Table 22. on page 27](#) and [Table 23. on page 27](#) for a bit definition of the two registers).

18.3 PLD power management

The power and speed of the PLDs are controlled by the Turbo Bit (Bit 3) in PMMR0. By setting the bit to '1,' the Turbo mode is off and the PLDs consume the specified standby current when the inputs are not switching for an extended time of 70ns. The propagation delay time is increased after the Turbo Bit is set to '1' (turned off) when the inputs change at a composite frequency of less than 15 MHz. When the Turbo Bit is reset to '0' (turned on), the PLDs run at full power and speed. The Turbo Bit affects the PLD's DC power, AC power, and propagation delay. Refer to [Maximum rating on page 96](#) for PLD timings.

Blocking MCU control signals with the bits of PMMR2 can further reduce PLD AC power consumption.

18.3.1 SRAM Standby mode (battery backup)

The PSD supports a battery backup mode in which the contents of the SRAM are retained in the event of a power loss. The SRAM has a Voltage Standby pin (V_{STBY} , PC2) that can be connected to an external battery. When V_{CC} becomes lower than V_{STBY} then the PSD automatically connects to Voltage Stand-by (V_{STBY} , PC2) as a power source to the SRAM. The SRAM Standby Current (I_{STBY}) is typically $0.5\mu A$. The SRAM data retention voltage is 2 V minimum. The Battery-on Indicator (V_{BATON}) can be routed to PE7. This signal indicates when the V_{CC} has dropped below V_{STBY} and the SRAM is running on battery power.

18.4 PSD Chip Select input (\overline{CSI} , PD2)

PD2 of Port D can be configured in PSDsoft as the PSD Chip Select Input (\overline{CSI}). When Low, the signal selects and enables the internal (primary) Flash memory, secondary Flash memory, SRAM, and I/O blocks for READ or WRITE operations involving the PSD. A High on PSD Chip Select Input (\overline{CSI} , PD2) disables the primary Flash memory, secondary Flash memory, and SRAM, and reduces the PSD power consumption. However, the PLD and I/O signals remain operational when PSD Chip Select Input (\overline{CSI} , PD2) is High.

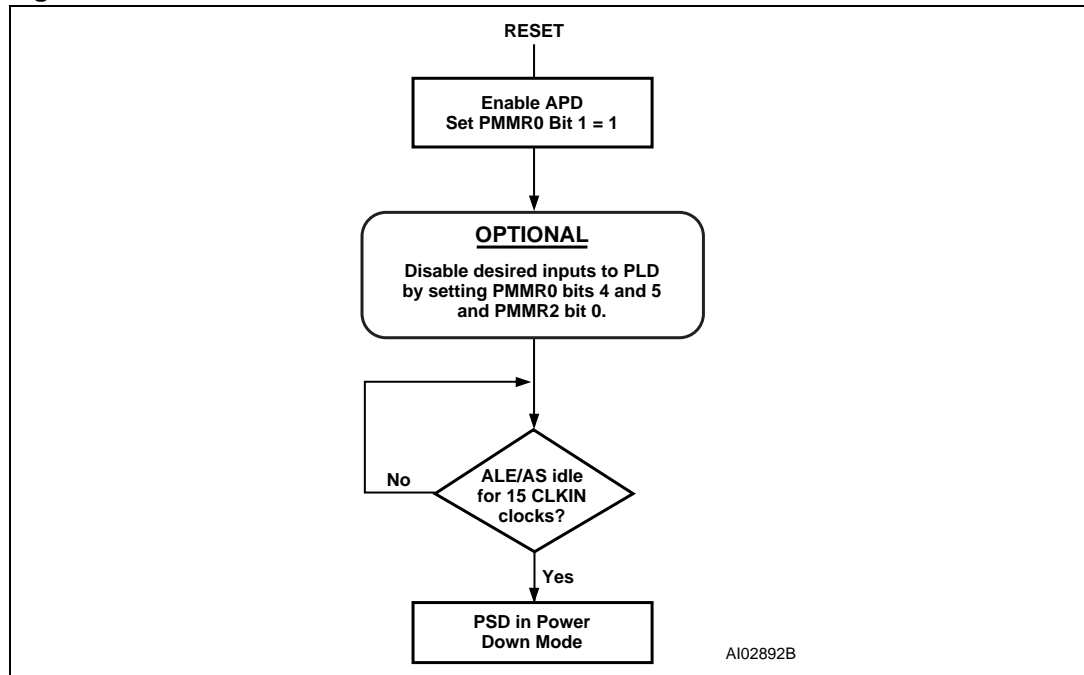
There may be a timing penalty when using PSD Chip Select Input (\overline{CSI} , PD2) depending on the speed grade of the PSD that you are using. See the timing parameter t_{SLQV} in [Table 64. on page 109](#).

18.5 Input Clock

The PSD provides the option to turn off CLKIN (PD1) to the PLD to save AC power consumption. CLKIN (PD1) is an input to the PLD AND Array and the Output Macrocells (OMC).

During Power-down mode, or, if CLKIN (PD1) is not being used as part of the PLD logic equation, the clock should be disabled to save AC power. CLKIN (PD1) is disconnected from the PLD AND Array or the Macrocells block by setting Bits 4 or 5 to a '1' in PMMR0.

Figure 31. Enable Power-down flowchart



18.6 Input control signals

The PSD provides the option to turn off the address input (A7-A0) and input control signals (CNTL0, CNTL1, CNTL2, Address Strobe (ALE/AS, PD0) and DBE) to the PLD to save AC power consumption. These signals are inputs to the PLD AND Array. During Power-down mode, or, if any of them are not being used as part of the PLD logic equation, these signals should be disabled to save AC power. They are disconnected from the PLD AND Array by setting Bits 0, 2, 3, 4, 5, and 6 to a '1' in PMMR2.

Table 46. APD counter operation

APD Enable bit	ALE PD polarity	ALE level	APD counter
0	X	X	Not counting
1	X	Pulsing	Not counting
1	1	1	Counting (Generates PDN after 15 Clocks)
1	0	0	Counting (Generates PDN after 15 Clocks)

19 Reset timing and device status at reset

19.1 Power-Up reset

Upon Power-up, the PSD requires a Reset ($\overline{\text{RESET}}$) pulse of duration $t_{\text{NLNH-PO}}$ (1ms minimum) after V_{CC} is steady. During this period, the device loads internal configurations, clears some of the registers and sets the Flash memory into Operating mode. After the rising edge of Reset ($\overline{\text{RESET}}$), the PSD remains in the Reset mode for an additional period, t_{OPR} (120ns maximum), before the first memory access is allowed.

The Flash memory is reset to the READ mode upon Power-up. Sector Select (FS0-FS7 and CSBOOT0-CSBOOT3) must all be Low, Write Strobe ($\overline{\text{WR}}$, CNTL0) High, during Power-Up Reset for maximum security of the data contents and to remove the possibility of a byte being written on the first edge of Write Strobe ($\overline{\text{WR}}$, CNTL0). Any Flash memory WRITE cycle initiation is prevented automatically when V_{CC} is below V_{LKO} .

19.2 Warm reset

Once the device is up and running, the device can be reset with a pulse of a much shorter duration, t_{NLNH} (150ns minimum). The same t_{OPR} period is needed before the device is operational after warm reset. Figure 32 shows the timing of the Power-up and warm reset.

19.3 I/O Pin, Register and PLD status at reset

Table 47. on page 90 shows the I/O pin, register and PLD status during Power-Up Reset, warm reset and Power-down mode. PLD outputs are always valid during warm reset, and they are valid in Power-Up Reset once the internal PSD Configuration bits are loaded. This loading of PSD is completed typically long before V_{CC} ramps up to operating level. Once the PLD is active, the state of the outputs are determined by the equations specified in PSDsoft.

19.4 Reset of Flash memory Erase and Program cycles

A Reset ($\overline{\text{RESET}}$) also resets the internal Flash memory state machine. During a Flash memory Program or Erase cycle, Reset ($\overline{\text{RESET}}$) terminates the cycle and returns the Flash memory to the READ mode within a period of $t_{\text{NLNH-A}}$ (25 μs minimum).

Figure 32. Power-Up and warm reset ($\overline{\text{RESET}}$) timing

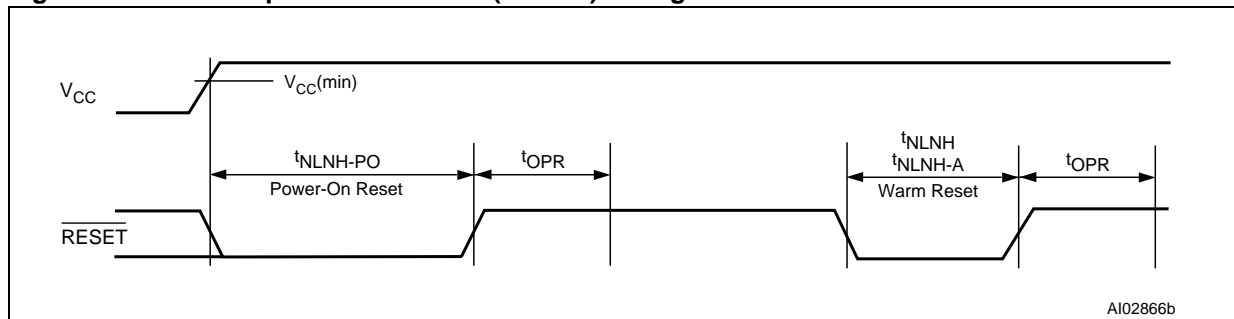


Table 47. Status during Power-Up reset, warm reset and Power-down mode

Port configuration	Power-Up reset	Warm reset	Power-down mode
MCU I/O	Input mode	Input mode	Unchanged
PLD Output	Valid after internal PSD configuration bits are loaded	Valid	Depends on inputs to PLD (addresses are blocked in PD mode)
Address Out	Tri-stated	Tri-stated	Not defined
Data Port	Tri-stated	Tri-stated	Tri-stated
Peripheral I/O	Tri-stated	Tri-stated	Tri-stated
Register	Power-Up reset	Warm reset	Power-down mode
PMMR0 and PMMR2	Cleared to '0'	Unchanged	Unchanged
Macrocells flip-flop status	Cleared to '0' by internal Power-Up Reset	Depends on .re and .pr equations	Depends on .re and .pr equations
VM Register ⁽¹⁾	Initialized, based on the selection in PSDsoft Configuration menu	Initialized, based on the selection in PSDsoft Configuration menu	Unchanged
All other registers	Cleared to '0'	Cleared to '0'	Unchanged

1. The SR_cod and PeriphMode Bits in the VM Register are always cleared to '0' on Power-Up Reset or Warm Reset.

20 Programming in-circuit using the JTAG/ISP interface

The JTAG/ISP Interface block can be enabled on Port E (see [Table 48. on page 92](#)). All memory blocks (primary and secondary Flash memory), PLD logic, and PSD Configuration Register bits may be programmed through the JTAG/ISP Interface block. A blank device can be mounted on a printed circuit board and programmed using JTAG/ISP.

The standard JTAG signals (IEEE 1149.1) are TMS, TCK, TDI, and TDO. Two additional signals, TSTAT and $\overline{\text{TERR}}$, are optional JTAG extensions used to speed up Program and Erase cycles.

By default, on a blank PSD (as shipped from the factory or after erasure), four pins on Port E are enabled for the basic JTAG signals TMS, TCK, TDI, and TDO.

See Application Note AN1153 for more details on JTAG In-System Programming (ISP).

20.1 Standard JTAG signals

The standard JTAG signals (TMS, TCK, TDI, and TDO) can be enabled by any of three different conditions that are logically ORed. When enabled, TDI, TDO, TCK, and TMS are inputs, waiting for a JTAG serial command from an external JTAG controller device (such as FlashLINK or Automated Test Equipment). When the enabling command is received, TDO becomes an output and the JTAG channel is fully functional inside the PSD. The same command that enables the JTAG channel may optionally enable the two additional JTAG signals, TSTAT and $\overline{\text{TERR}}$.

The following symbolic logic equation specifies the conditions enabling the four basic JTAG signals (TMS, TCK, TDI, and TDO) on their respective Port E pins. For purposes of discussion, the logic label JTAG_ON is used. When JTAG_ON is true, the four pins are enabled for JTAG. When JTAG_ON is false, the four pins can be used for general PSD I/O.

```
JTAG_ON = PSDsoft_enabled +
  /* An NVM configuration bit inside the PSD is set by the designer
  in the PSDsoft Configuration utility. This dedicates the pins for
  JTAG at all times (compliant with IEEE 1149.1 */
  Microcontroller_enabled +
  /* The microcontroller can set a bit at run-time by writing to the
  PSD register, JTAG Enable. This register is located at address CSIOP
  + offset C7h. Setting the JTAG_ENABLE bit in this register will
  enable the pins for JTAG use. This bit is cleared by a PSD reset or
  the microcontroller. See Table 20. on page 27 for bit definition. */
  PSD_product_term_enabled;
  /* A dedicated product term (PT) inside the PSD can be used to
  enable the JTAG pins. This PT has the reserved name JTAGSEL. Once
  defined as a node in PSDabel, the designer can write an equation for
  JTAGSEL. This method is used when the Port E JTAG pins are
  multiplexed with other I/O signals. It is recommended to logically
  tie the node JTAGSEL to the JEN\ signal on the Flashlink cable when
  multiplexing JTAG signals. See Application Note 1153 for details. */
```

The PSD supports JTAG/ISP commands, but not Boundary Scan. The PSDsoft software tool and FlashLINK JTAG programming cable implement the JTAG/ISP commands.

20.2 JTAG extensions

TSTAT and \overline{TERR} are two JTAG extension signals enabled by a JTAG command received over the four standard JTAG signals (TMS, TCK, TDI, and TDO). They are used to speed Program and Erase cycles by indicating status on PSD signals instead of having to scan the status out serially using the standard JTAG channel. See Application Note AN1153.

\overline{TERR} indicates if an error has occurred when erasing a sector or programming a Byte in Flash memory. This signal goes Low (active) when an Error condition occurs, and stays Low until a special JTAG command is executed or a chip Reset (\overline{RESET}) pulse is received after an "ISC_DISABLE" command.

TSTAT behaves the same as Ready/ \overline{Busy} described in the section entitled *Ready/Busy (PE4) on page 31*. TSTAT is High when the PSD device is in READ mode (primary and secondary Flash memory contents can be read). TSTAT is Low when Flash memory Program or Erase cycles are in progress, and also when data is being written to the secondary Flash memory.

TSTAT and \overline{TERR} can be configured as open-drain type signals during a JTAG command.

20.3 Security and Flash memory protection

When the Security Bit is set, the device cannot be read on a Device Programmer or through the JTAG Port. When using the JTAG Port, only a Full Chip Erase command is allowed.

All other Program, Erase and Verify commands are blocked. Full Chip Erase returns the part to a non-secured blank state. The Security Bit can be set in PSDsoft.

All primary and secondary Flash memory sectors can individually be sector protected against erasures. The Sector Protect Bits can be set in PSDsoft.

Table 48. JTAG port signals

Port E pin	JTAG signals	Description
PE0	TMS	Mode Select
PE1	TCK	Clock
PE2	TDI	Serial Data In
PE3	TDO	Serial Data Out
PE4	TSTAT	Status
PE5	TERR	Error Flag

21 AC/DC parameters

The tables provided below describe the AD and DC parameters of the PSD:

- DC Electrical Specification
- AC Timing Specification
 - PLD Timing
 - Combinatorial Timing
 - Synchronous Clock Mode
 - Asynchronous Clock Mode
 - Input Macrocell Timing
 - MCU Timing
 - READ Timing
 - WRITE Timing
 - Peripheral Mode Timing
 - Power-down and Reset Timing

The following are issues concerning the parameters presented:

- In the DC specification the supply current is given for different modes of operation. Before calculating the total power consumption, determine the percentage of time that the PSD is in each mode. Also, the supply power is considerably different if the Turbo Bit is '0.'
- The AC power component gives the PLD, Flash memory, and SRAM mA/MHz specification. Figure 33 show the PLD mA/MHz as a function of the number of Product Terms (PT) used.
- In the PLD timing parameters, add the required delay when Turbo Bit is '0.'

Figure 33. PLD I_{CC} /frequency consumption

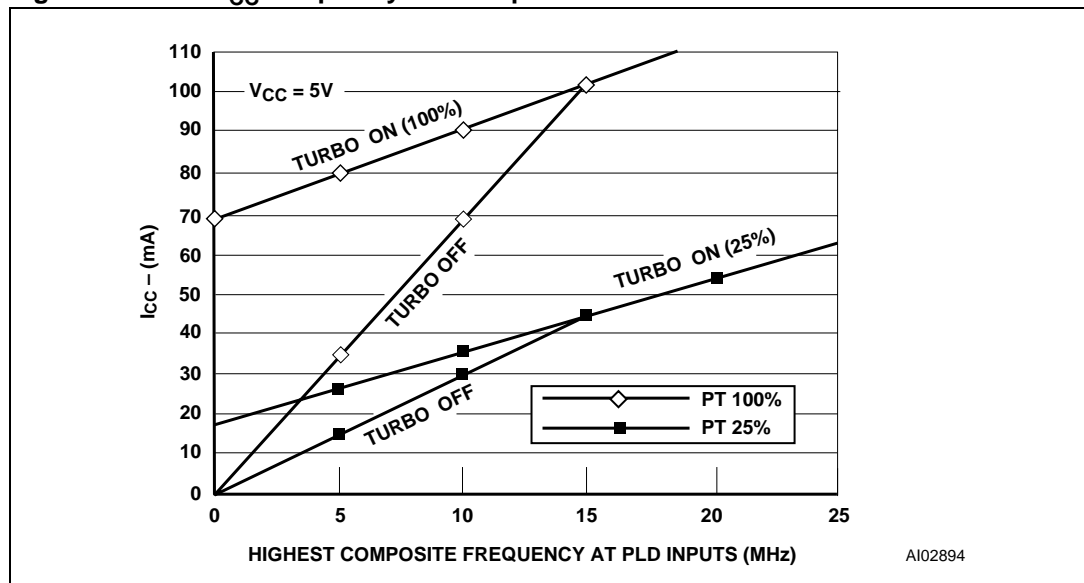


Table 49. Example of PSD typical power calculation at V_{CC} = 5.0 V (with Turbo mode On)

Conditions		
Highest Composite PLD input frequency		
	(Freq PLD)	= 8 MHz
MCU ALE frequency (Freq ALE)		= 4 MHz
	% Flash memory Access	= 80%
	% SRAM access	= 15%
	% I/O access	= 5% (no additional power above base)
Operational Modes		
	% Normal	= 10%
	% Power-down Mode	= 90%
Number of product terms used		
	(from fitter report)	= 45 PT
	% of total product terms	= 45/193 = 23.3%
	Turbo Mode	= ON
Calculation (using typical values)		
I _{CC} total	= I _{pwrdn} x % _{pwrdn} + % _{normal} x (I _{CC} (ac) + I _{CC} (dc))	
	= I _{pwrdn} x % _{pwrdn} + % _{normal} x (% _{flash} x 2.5 mA/MHz x Freq ALE	
		+ % _{SRAM} x 1.5 mA/MHz x Freq ALE
		+ % _{PLD} x 2 mA/MHz x Freq PLD
		+ #PT x 400 μA/PT)
	= 50μA x 0.90 + 0.1 x (0.8 x 2.5 mA/MHz x 4 MHz	
		+ 0.15 x 1.5 mA/MHz x 4 MHz
		+ 2 mA/MHz x 8 MHz
		+ 45 x 0.4 mA/PT)
	= 45 μA + 0.1 x (8 + 0.9 + 16 + 18 mA)	
	= 45 μA + 0.1 x 42.9	
	= 45 μA + 4.29 mA	
	= 4.34 mA	
This is the operating power with no Flash memory WRITE or Erase cycles in progress. Calculation is based on I _{OUT} = 0 mA.		

Table 50. Example of PSD typical power calculation at V_{CC} = 5.0 V (with Turbo mode off)

Conditions		
Highest Composite PLD input frequency		
	(Freq PLD)	= 8 MHz
MCU ALE frequency (Freq ALE) = 4 MHz		
	% Flash memory Access	= 80%
	% SRAM access	= 15%
	% I/O access	= 5% (no additional power above base)
Operational Modes		
	% Normal	= 10%
	% Power-down Mode	= 90%
Number of product terms used		
	(from fitter report)	= 45 PT
	% of total product terms	= 45/193 = 23.3%
	Turbo Mode	= Off
Calculation (using typical values)		
I _{CC} total	= I _{pwrdown} x %pwrdown + %normal x (I _{CC} (ac) + I _{CC} (dc))	
	= I _{pwrdown} x %pwrdown + % normal x (%flash x 2.5 mA/MHz x Freq ALE	
		+ %SRAM x 1.5 mA/MHz x Freq ALE
		+ % PLD x (from graph using Freq PLD))
	= 50 μA x 0.90 + 0.1 x (0.8 x 2.5 mA/MHz x 4 MHz	
		+ 0.15 x 1.5m A/MHz x 4 MHz
		+ 24 mA)
	= 45 μA + 0.1 x (8 + 0.9 + 24)	
	= 45 μA + 0.1 x 32.9	
	= 45 μA + 3.29 mA	
	= 3.34 mA	
This is the operating power with no Flash memory WRITE or Erase cycles in progress. Calculation is based on I _{OUT} = 0 mA.		

22 Maximum rating

Stressing the device above the rating listed in the Absolute Maximum Ratings” table may cause permanent damage to the device. These are stress ratings only and operation of the device at these or any other conditions above those indicated in the Operating sections of this specification is not implied. Exposure to Absolute Maximum Rating conditions for extended periods may affect device reliability. Refer also to the STMicroelectronics SURE Program and other relevant quality documents.

Table 51. Absolute maximum ratings

Symbol	Parameter	Min.	Max.	Unit
T_{STG}	Storage temperature	-65	125	°C
T_{LEAD}	Lead temperature during soldering		See ⁽¹⁾	°C
V_{IO}	Input and output voltage ($Q = V_{OH}$ or Hi-Z)	-0.6	7.0	V
V_{CC}	Supply voltage	-0.6	7.0	V
V_{PP}	Device programmer supply voltage	-0.6	14.0	V
V_{ESD}	Electrostatic discharge voltage (human body model) ⁽²⁾	-2000	2000	V

1. Compliant with JEDEC Std J-STD-020C (for small body, Sn-Pb or Pb assembly), the ST ECOPACK® 7191395 specification, and the European directive on Restrictions on Hazardous Substances (RoHS) 2002/95/EU
2. JEDEC Std JESD22-A114A (C1=100 pF, R1=1500 Ω, R2=500 Ω)

23 DC and AC parameters

This section summarizes the operating and measurement conditions, and the DC and AC characteristics of the device. The parameters in the DC and AC Characteristic tables that follow are derived from tests performed under the Measurement Conditions summarized in the relevant tables. Designers should check that the operating conditions in their circuit match the measurement conditions when relying on the quoted parameters.

Table 52. Operating conditions

Symbol	Parameter	Min.	Max.	Unit
V_{CC}	Supply voltage	4.5	5.5	V
T_A	Ambient operating temperature (industrial)	-40	85	°C
	Ambient operating temperature (commercial)	0	70	°C

Table 53. AC signal letters for PLD timing⁽¹⁾

A	Address input
C	CEout output
D	Input Data
E	E input
I	Interrupt input
L	ALE input
N	$\overline{\text{RESET}}$ input or output
P	Port signal output
Q	Output Data
R	$\overline{\text{UDS}}$, $\overline{\text{LDS}}$, $\overline{\text{DS}}$, $\overline{\text{RD}}$, $\overline{\text{PSEN}}$ Inputs
S	Chip Select input
T	$\overline{\text{R/W}}$ input
W	WR input
B	V_{STBY} output
M	Output macrocell

1. Example: t_{AVLX} = Time from Address Valid to ALE Invalid.

Table 54. AC signal behavior symbols for PLD timing⁽¹⁾

t	Time
L	Logic level low or ALE
H	Logic level high
V	Valid
X	No longer a valid logic level
Z	Float
PW	Pulse width

1. Example: t_{AVLX} = Time from Address Valid to ALE Invalid.

Table 55. AC measurement conditions

Symbol	Parameter	Min.	Max.	Unit
C_L	Load capacitance		30	pF

1. Output Hi-Z is defined as the point where data out is no longer driven.

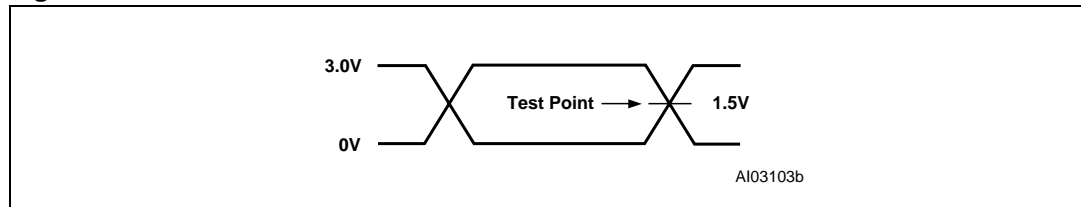
Table 56. Capacitance⁽¹⁾

Symbol	Parameter	Test Condition	Typ. ⁽²⁾	Max.	Unit
C_{IN}	Input capacitance (for input pins)	$V_{IN} = 0\text{ V}$	4	6	pF
C_{OUT}	Output capacitance (for input/output pins)	$V_{OUT} = 0\text{ V}$	8	12	pF
C_{VPP}	Capacitance (for CNTL2/ V_{PP})	$V_{PP} = 0\text{ V}$	18	25	pF

1. Sampled only, not 100% tested.

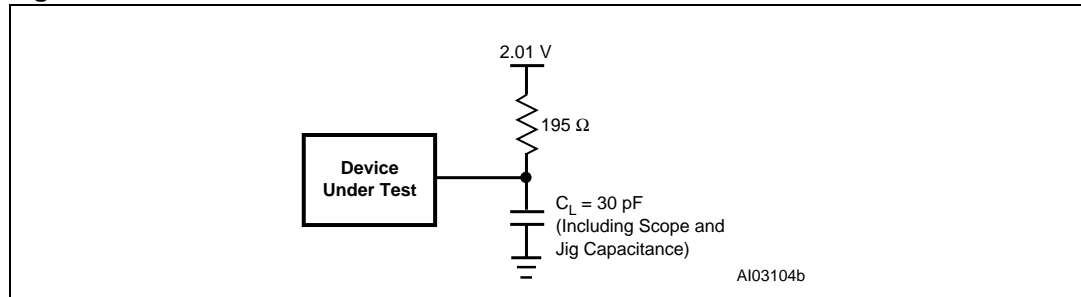
2. Typical values are for $T_A = 25^\circ\text{C}$ and nominal supply voltages.

Figure 34. AC measurement I/O waveform



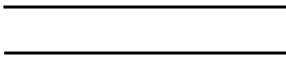


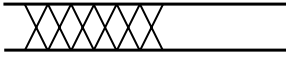
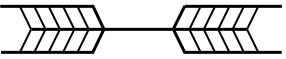
AI03103b

Figure 35. AC measurement load circuit



AI03104b

Figure 36. Switching waveforms – key

WAVEFORMS	INPUTS	OUTPUTS
	STEADY INPUT	STEADY OUTPUT
	MAY CHANGE FROM HI TO LO	WILL BE CHANGING FROM HI TO LO
	MAY CHANGE FROM LO TO HI	WILL BE CHANGING LO TO HI
	DON'T CARE	CHANGING, STATE UNKNOWN
	OUTPUTS ONLY	CENTER LINE IS TRI-STATE

AI03102

Table 57. DC characteristics

Symbol	Parameter	Test Condition (in addition to those in Table 52. on page 97)	Min.	Typ.	Max.	Unit	
V _{IH}	Input high voltage	4.5 V < V _{CC} < 5.5 V	2		V _{CC} + 0.5	V	
V _{IL}	Input low voltage	4.5 V < V _{CC} < 5.5 V	-0.5		0.8	V	
V _{IH1}	Reset high level input voltage	(1)	0.8V _{CC}		V _{CC} + 0.5	V	
V _{IL1}	Reset low level input voltage	(1)	-0.5		0.2V _{CC} - 0.1	V	
V _{HYS}	Reset pin hysteresis		0.3			V	
V _{LKO}	V _{CC} (min) for Flash Erase and Program		2.5		4.2	V	
V _{OL}	Output low voltage	I _{OL} = 20 μA, V _{CC} = 4.5 V		0.01	0.1	V	
		I _{OL} = 8 mA, V _{CC} = 4.5 V		0.25	0.45	V	
V _{OH}	Output high voltage except V _{STBY} on	I _{OH} = -20 μA, V _{CC} = 4.5 V	4.4	4.49		V	
		I _{OH} = -2 mA, V _{CC} = 4.5 V	2.4	3.9		V	
V _{OH1}	Output high voltage V _{STBY} on	I _{OH1} = -1 μA	V _{STBY} - 0.8			V	
V _{STBY}	SRAM standby voltage		2.0		V _{CC}	V	
I _{STBY}	SRAM standby current	V _{CC} = 0 V		0.5	1	μA	
I _{IDLE}	Idle current (V _{STBY} input)	V _{CC} > V _{STBY}	-0.1		0.1	μA	
V _{DF}	SRAM Data Retention Voltage	Only on V _{STBY}	2			V	
I _{SB}	Standby supply current for Power-down mode	$\overline{CS1} > V_{CC} - 0.3 V^{(2)(3)(4)}$		100	200	μA	
I _{LI}	Input leakage current	V _{SS} < V _{IN} < V _{CC}	-1	±0.1	1	μA	
I _{LO}	Output leakage current	0.45 < V _{IN} < V _{CC}	-10	±5	10	μA	
I _{CC} (DC) ⁽⁴⁾	Operating supply current	PLD Only	PLD_TURBO = Off, f = 0 MHz ⁽³⁾		0		μA/PT
			PLD_TURBO = On, f = 0 MHz		400	700	μA/PT
		Flash memory	During Flash memory WRITE/Erase Only		15	30	mA
			Read only, f = 0 MHz		0	0	mA
SRAM	f = 0 MHz		0	0	mA		
I _{CC} (AC) ⁽⁴⁾	PLD AC Base		Figure 33 ⁽⁵⁾				
	Flash memory AC adder			2.5	3.5	mA/MHz	
	SRAM AC adder			1.5	3.0	mA/MHz	

1. Reset (RESET) has hysteresis. V_{IL1} is valid at or below 0.2V_{CC} - 0.1. V_{IH1} is valid at or above 0.8V_{CC}.
2. $\overline{CS1}$ deselected or internal Power-down mode is active.
3. PLD is in non-Turbo mode, and none of the inputs are switching.
4. I_{OUT} = 0mA
5. Please see Figure 33 for the PLD current calculation.

Figure 37. Input to Output Disable / Enable

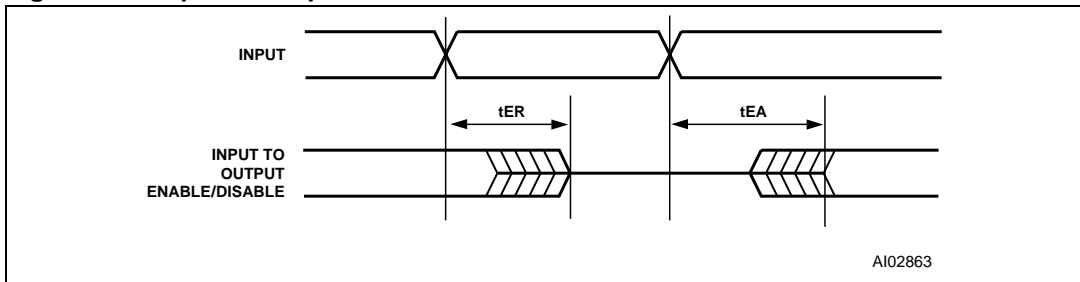


Figure 38. Combinatorial timing – PLD

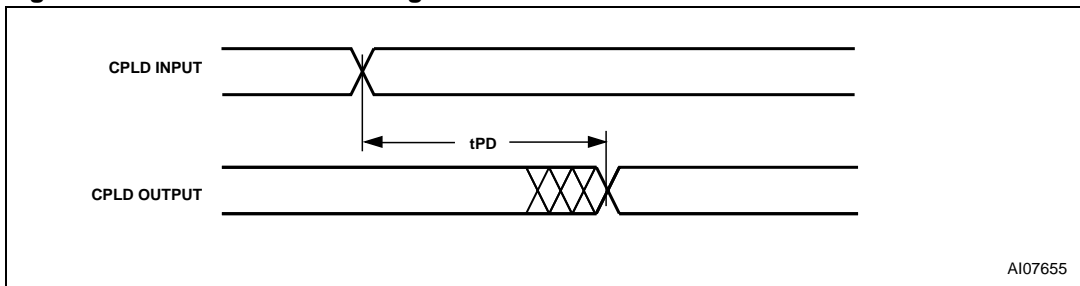


Table 58. CPLD combinatorial timing

Symbol	Parameter	Conditions	-70		-90		PT Alloc	Turb o Off	Slew rate ⁽¹⁾	Unit
			Min	Max	Min	Max				
t _{PD}	CPLD input pin/feedback to CPLD combinatorial output			20		25	+ 2	+ 12	- 2	ns
t _{EA}	CPLD input to CPLD Output Enable			21		26		+ 12	- 2	ns
t _{ER}	CPLD input to CPLD Output Disable			21		26		+ 12	- 2	ns
t _{ARP}	CPLD Register Clear or preset delay			21		26		+ 12	- 2	ns
t _{ARPW}	CPLD Register clear or preset pulse width		10		20			+ 12		ns
t _{ARD}	CPLD array delay	Any macrocell		11		16	+ 2			ns

1. Fast Slew Rate output available on PA3-PA0, PB3-PB0, and PD2-PD0. Decrement times by given amount.

Table 59. CPLD macrocell synchronous clock mode timing

Symbol	Parameter	Conditions	-70		-90		PT Alloc	Turbo Off	Slew rate ⁽¹⁾	Unit
			Min	Max	Min	Max				
f _{MAX}	Maximum frequency external feedback	1/(t _S +t _{CO})		34.4		30.30				MHz
	Maximum frequency internal feedback (f _{CNT})	1/(t _S +t _{CO} -10)		52.6		43.48				MHz
	Maximum frequency pipelined data	1/(t _{CH} +t _{CL})		83.3		50.00				MHz
t _S	Input setup time		14		15		+ 2	+ 12		ns
t _H	Input hold time		0		0					ns
t _{CH}	Clock high time	Clock Input	6		10					ns
t _{CL}	Clock low time	Clock Input	6		10					ns
t _{CO}	Clock to output delay	Clock Input		15		18			- 2	ns
t _{ARD}	CPLD array delay	Any macrocell		11		16	+ 2			ns
t _{MIN}	Minimum clock period ⁽²⁾	t _{CH} +t _{CL}	12		20					ns

1. Fast Slew Rate output available on Ports C and F.

2. CLKIN (PD1) t_{CLCL} = t_{CH} + t_{CL}.

Table 60. CPLD macrocell asynchronous clock mode timing

Symbol	Parameter	Conditions	-70		-90		PT Alloc	Turbo Off	Slew rate	Unit
			Min	Max	Min	Max				
f _{MAXA}	Maximum frequency external feedback	1/(t _{SA} +t _{COA})		38.4		26.32				MHz
	Maximum frequency internal feedback (f _{CNTA})	1/(t _{SA} +t _{COA} -10)		62.5		35.71				MHz
	Maximum frequency pipelined data	1/(t _{CHA} +t _{CLA})		47.6		37.3				MHz
t _{SA}	Input setup time		6		8	+ 2	+ 12			ns
t _{HA}	Input hold time		7		12					ns
t _{CHA}	Clock input high time		9		12		+ 12			ns
t _{CLA}	Clock input low time		12		15		+ 12			ns
t _{COA}	Clock to output delay			21		30	+ 12	- 2		ns
t _{ARDA}	CPLD array delay	Any macrocell		11		16	+ 2			ns
t _{MINA}	Minimum clock period	1/f _{CNTA}	16		28					ns

Figure 39. Synchronous clock mode timing – PLD

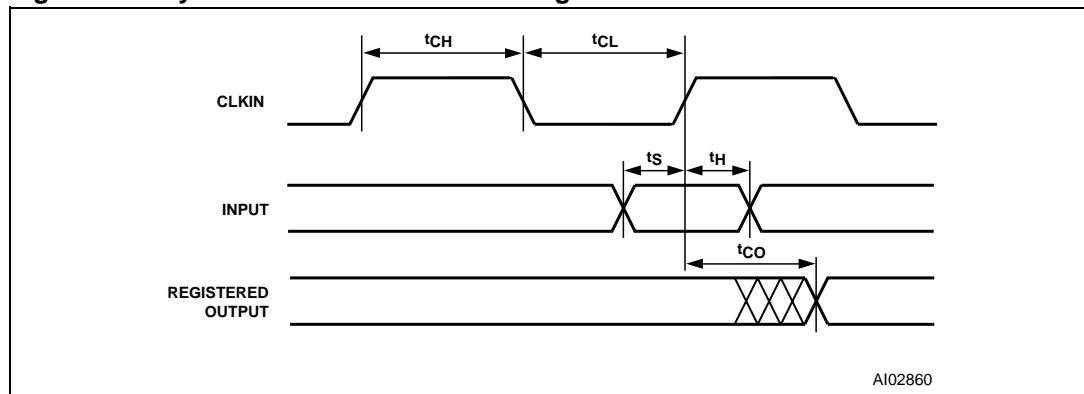
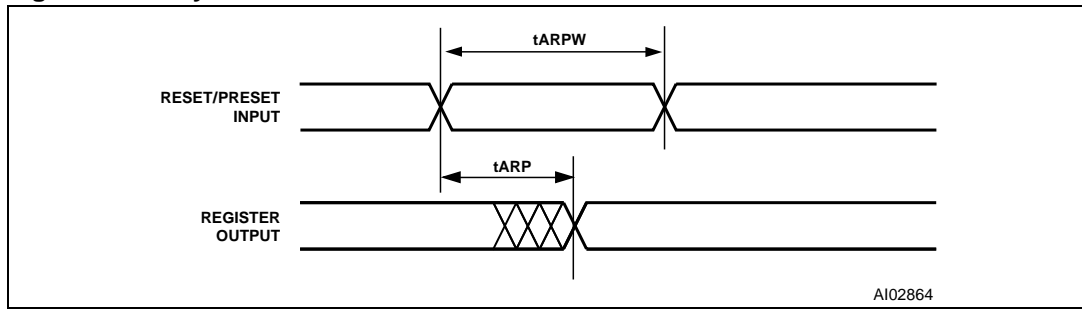
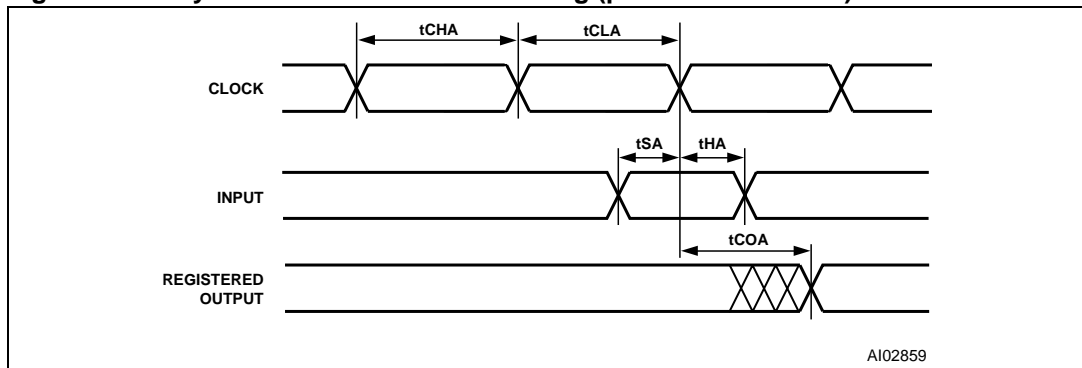


Figure 40. Asynchronous Reset / Preset



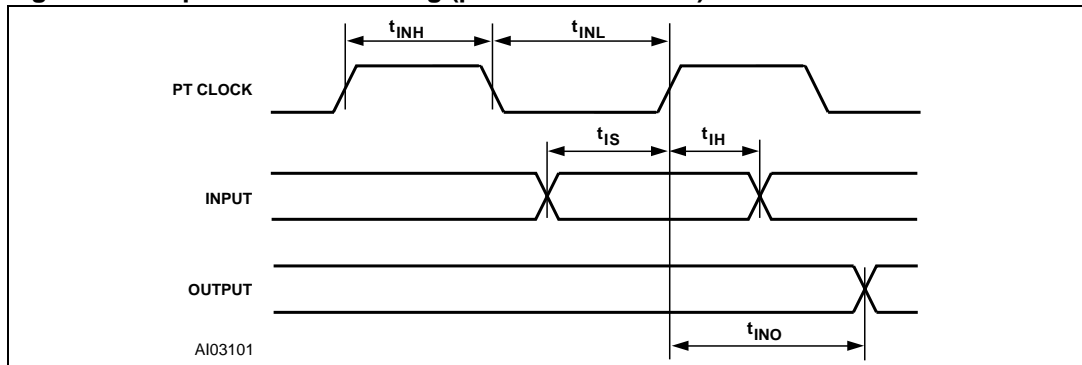
AI02864

Figure 41. Asynchronous Clock mode timing (product term clock)



AI02859

Figure 42. Input macrocell timing (product term clock)



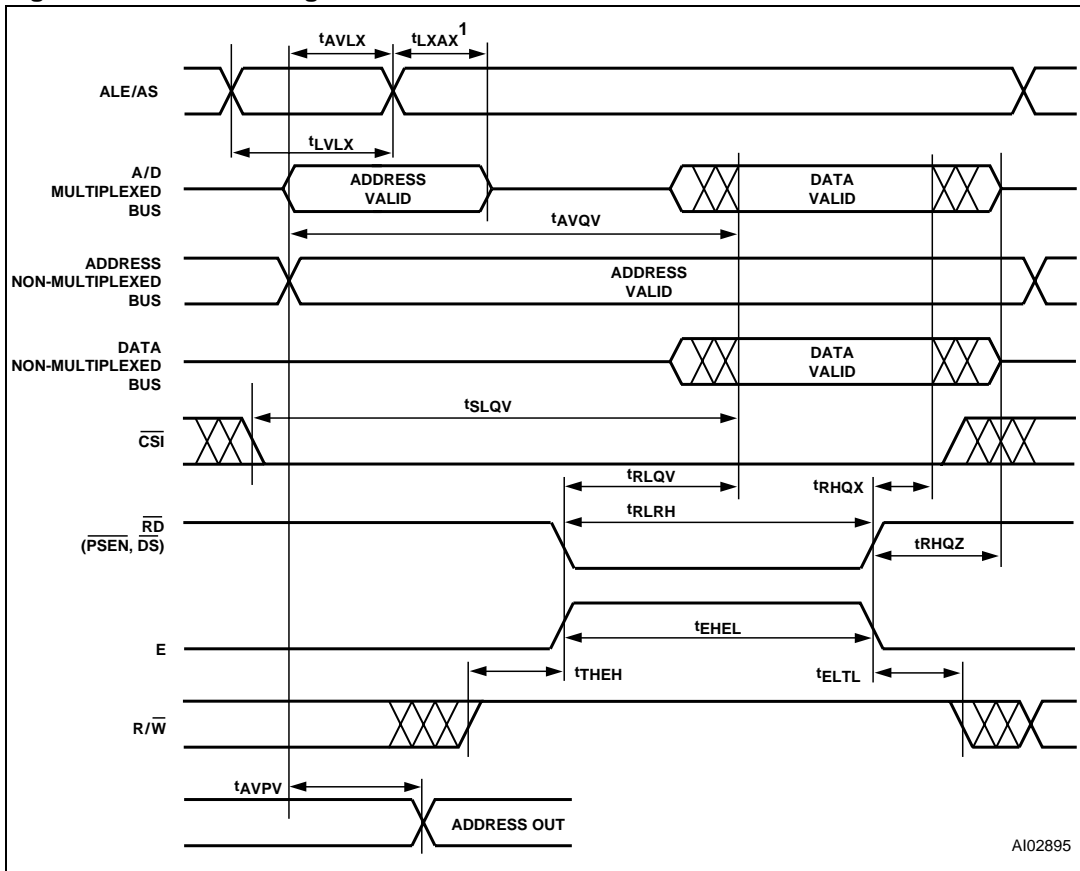
AI03101

Table 61. Input macrocell timing

Symbol	Parameter	Conditions	-70		-90		PT Alloc	Turbo Off	Unit
			Min	Max	Min	Max			
t _{IS}	Input setup time	(1)	0		0			ns	
t _{IH}	Input hold time	(1)	15		20		+ 12	ns	
t _{INH}	NIB input high time	(1)	9		12			ns	
t _{INL}	NIB input low time	(1)	9		12			ns	
t _{INO}	NIB input to combinational delay	(1)		34		46	+ 2	+ 12	ns

1. Inputs from Port A, B, and C relative to register/ latch clock from the PLD. ALE/AS latch timings refer to t_{AVLX} and t_{LXAX}.

Figure 43. READ timing



1. t_{AVLX} and t_{LXAX} are not required for 80C51XA in Burst Mode.

Table 62. READ timing

Symbol	Parameter	Conditions	-70		-90		Turbo Off	Unit
			Min	Max	Min	Max		
t_{LVLX}	ALE or AS pulse width		15		20			ns
t_{AVLX}	Address setup time	(1)	4		6			ns
t_{LXAX}	Address hold time	(1)	7		8			ns
t_{AVQV}	Address valid to data valid	(1)		70		90	+ 12	ns
t_{SLQV}	CS valid to data valid			75		100		ns
t_{RLQV}	\overline{RD} to data valid 8-bit bus	(2)		24		32		ns
	\overline{RD} or \overline{PSEN} to data valid 8-bit bus, 8031, 80251	(3)		31		38		ns
t_{RHQX}	\overline{RD} data hold time	(4)	0		0			ns
t_{RLRH}	\overline{RD} pulse width	(4)	27		32			ns
t_{RHQZ}	\overline{RD} to data High-Z	(4)		20		25		ns
t_{EHEL}	E pulse width		27		32			ns
t_{THEH}	R/\overline{W} setup time to Enable		6		10			ns
t_{ELTL}	R/\overline{W} hold time after Enable		0		0			ns
t_{AVPV}	Address input valid to Address output delay	(5)		20		25		ns

1. Any input used to select an internal PSD function.
2. \overline{RD} timing has the same timing as \overline{DS} signal.
3. \overline{RD} and \overline{PSEN} have the same timing.
4. \overline{RD} timing has the same timing as \overline{DS} and \overline{PSEN} signals.
5. In multiplexed mode, latched addresses generated from ADIO delay to address output on any Port.

Figure 44. WRITE timing

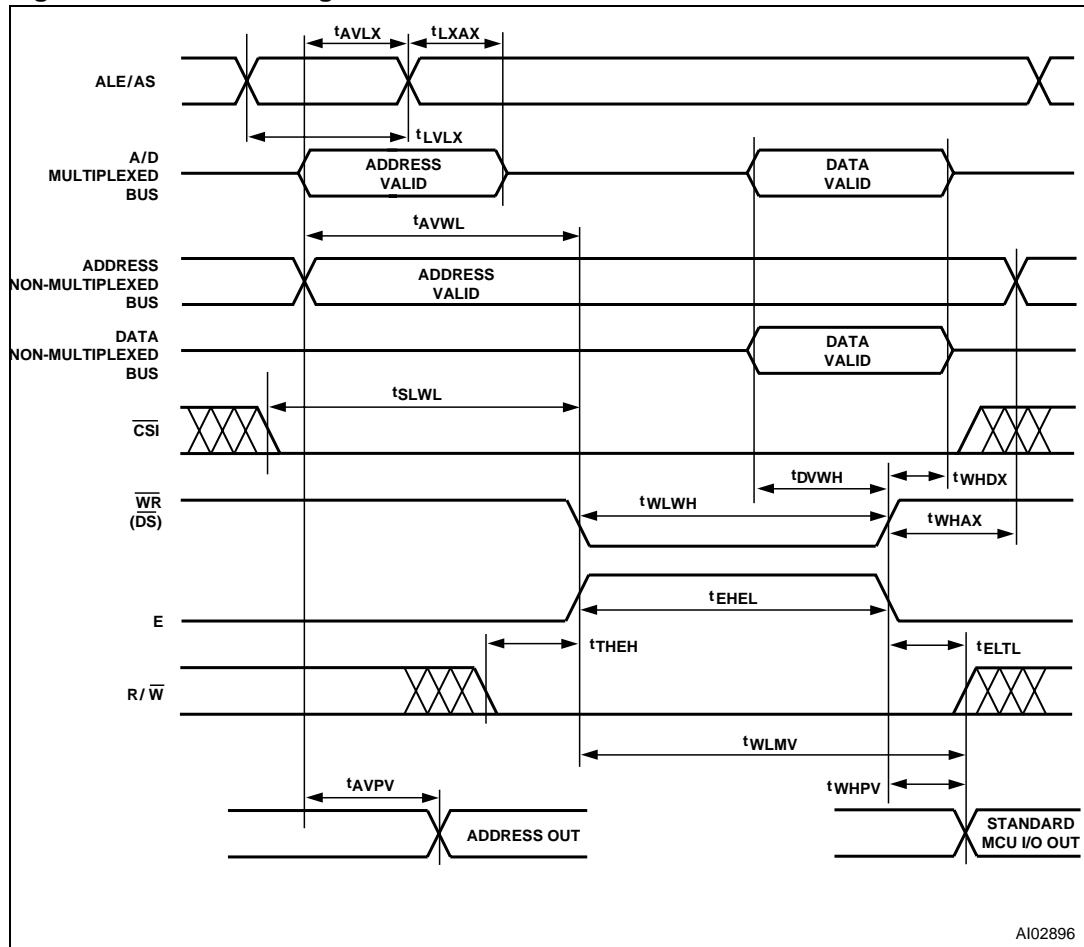


Table 63. WRITE timing

Symbol	Parameter	Conditions	-70		-90		Unit
			Min	Max	Min	Max	
t_{LVLX}	ALE or AS pulse width		15		20		ns
t_{AVLX}	Address setup time	(1)	4		6		ns
t_{LXAX}	Address hold time	(1)	7		8		ns
t_{AVWL}	Address valid to leading edge of \overline{WR}	(1),(2)	8		15		ns
t_{SLWL}	\overline{CS} valid to leading edge of \overline{WR}	(2)	12		15		ns
t_{DVWH}	\overline{WR} data setup time	(2)	25		35		ns
t_{WHDX}	\overline{WR} data hold time	(2),(3)	4		5		ns
t_{WLWH}	\overline{WR} pulse width	(2)	28		35		ns
t_{WHAX1}	Trailing edge of \overline{WR} to address invalid	(2)	6		8		ns
t_{WHAX2}	Trailing edge of \overline{WR} to DPLD address invalid	(2),(4)	0		0		ns
t_{WHPV}	Trailing edge of \overline{WR} to Port output valid using I/O Port Data Register	(2)		27		30	ns
t_{DVMV}	Data valid to Port output valid using Macrocell Register Preset/Clear	(2),(5)		42		55	ns
t_{AVPV}	Address input valid to Address output delay	(6)		20		25	ns
t_{WLMV}	\overline{WR} valid to Port output valid using Macrocell Register Preset/Clear	(2),(7)		48		55	ns

1. Any input used to select an internal PSD function.
2. \overline{WR} has the same timing as E and \overline{DS} signals.
3. t_{WHDX} is 6ns when writing to Output Macrocell Registers AB and BC.
4. t_{WHAX2} is the address hold time for DPLD inputs that are used to generate Sector Select signals for internal PSD memory.
5. Assuming WRITE is active before data becomes valid.
6. In multiplexed mode, latched address generated from ADIO delay to address output on any port.
7. Assuming data is stable before active WRITE signal.

Figure 45. Peripheral I/O Read timing

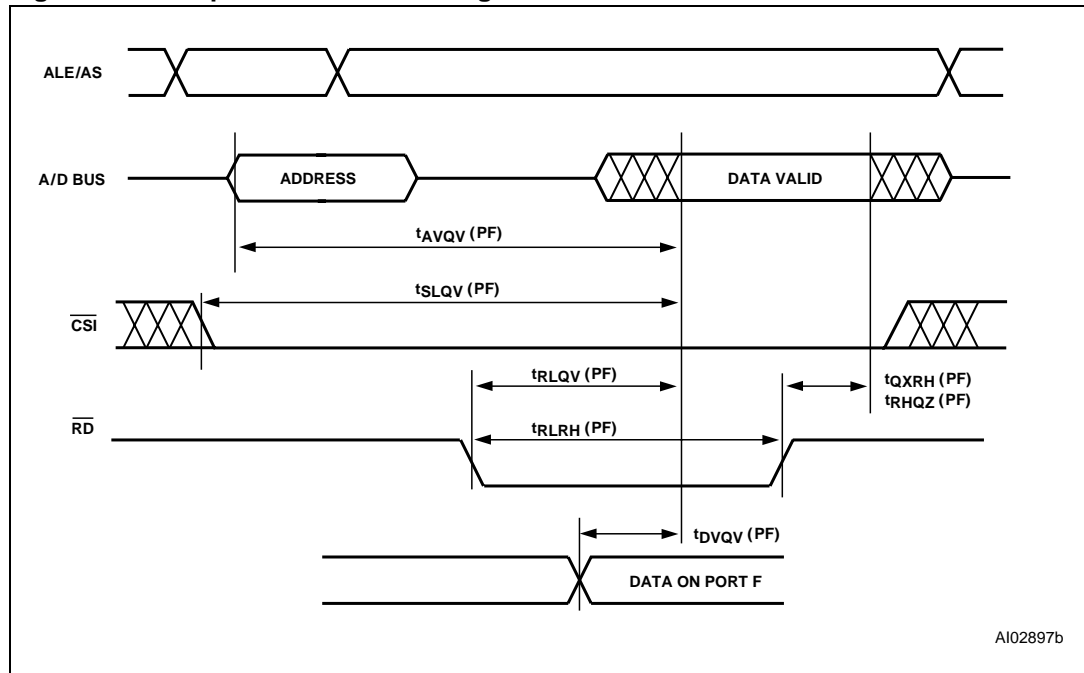


Table 64. Port F peripheral data mode read timing

Symbol	Parameter	Conditions	-70		-90		Turbo Off	Unit
			Min	Max	Min	Max		
$t_{AVQV-PF}$	Address valid to data valid	(1)		30		35	+ 12	ns
$t_{SLQV-PF}$	CS valid to data valid			25		35	+ 12	ns
$t_{RLQV-PF}$	RD to data valid	(2),(3)		21		32		ns
	RD to data valid 8031 mode			31		38		ns
$t_{DVQV-PF}$	Data In to data out valid			22		30		ns
$t_{QXRH-PF}$	RD data hold time		0		0			ns
$t_{RLRH-PF}$	RD pulse width	(2)	27		32			ns
$t_{RHQZ-PF}$	RD to data High-Z	(2)		23		25		ns

1. Any input used to select Port F Data Peripheral mode.
2. RD has the same timing as DS and PSEN.
3. Data is already stable on Port F.

Figure 46. Peripheral I/O Write timing

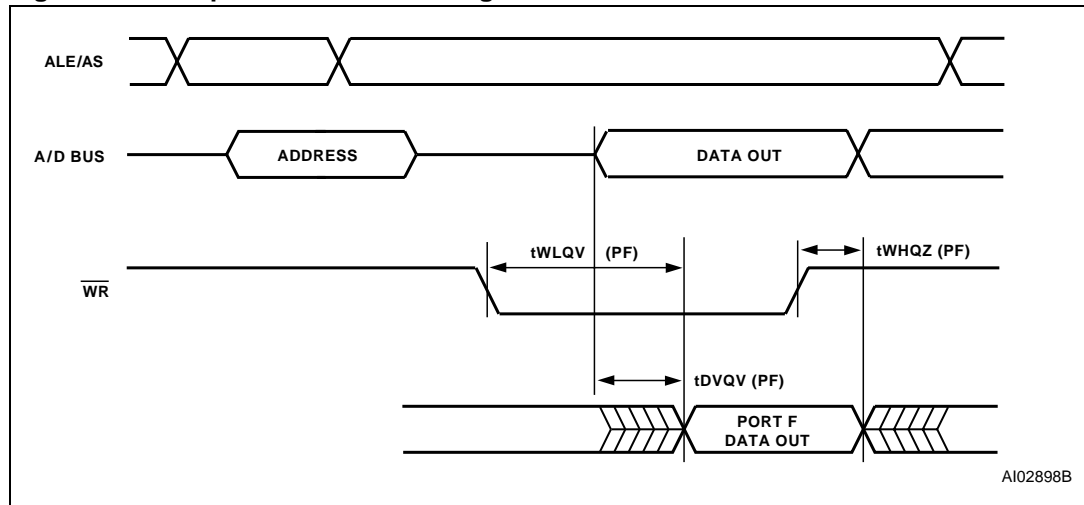


Table 65. Port F peripheral data mode Write timing

Symbol	Parameter	Conditions	-70		-90		Unit
			Min	Max	Min	Max	
$t_{WLQV-PF}$	\overline{WR} to data propagation delay	(1)		25		35	ns
$t_{DVQV-PF}$	Data to Port A data propagation delay	(2)		22		30	ns
$t_{WHQZ-PF}$	\overline{WR} invalid to Port A tri-state	(1)		20		25	ns

- \overline{WR} has the same timing as the E and \overline{DS} signals.
- Data stable on ADIO pins to data on Port F.

Table 66. Program, Write and Erase times

Symbol	Parameter	Min.	Typ.	Max.	Unit
	Flash Program		8.5		s
	Flash Bulk Erase ⁽¹⁾ (pre-programmed to "00")		3	30	s
	Flash Bulk Erase (not pre-programmed)		10		s
t_{WHQV3}	Sector Erase (pre-programmed)		1	30	s
t_{WHQV2}	Sector Erase (not pre-programmed to "00")		2.2		s
t_{WHQV1}	Byte Program		14	1200	μ s
	Program / Erase cycles (per sector)	100,000			cycles
t_{WHWLO}	Sector Erase time-out		100		μ s
t_{Q7VQV}	DQ7 valid to Output (DQ7-DQ0) valid (data polling) ⁽²⁾			30	ns

- Programmed to all zero before erase.
- The polling status, DQ7, is valid t_{Q7VQV} time units before the data byte, DQ0-DQ7, is valid for reading.

Table 67. Power-down timing

Symbol	Parameter	Conditions	-70		-90		Unit
			Min	Max	Min	Max	
t_{LVDV}	ALE access time from Power-down			80		90	ns
t_{CLWH}	Maximum delay from APD Enable to internal PDN valid signal	Using CLKIN (PD1)	$15 * t_{CLCL}^{(1)}$				μs

1. t_{CLCL} is the period of CLKIN (PD1).

Figure 47. Reset (\overline{RESET}) timing

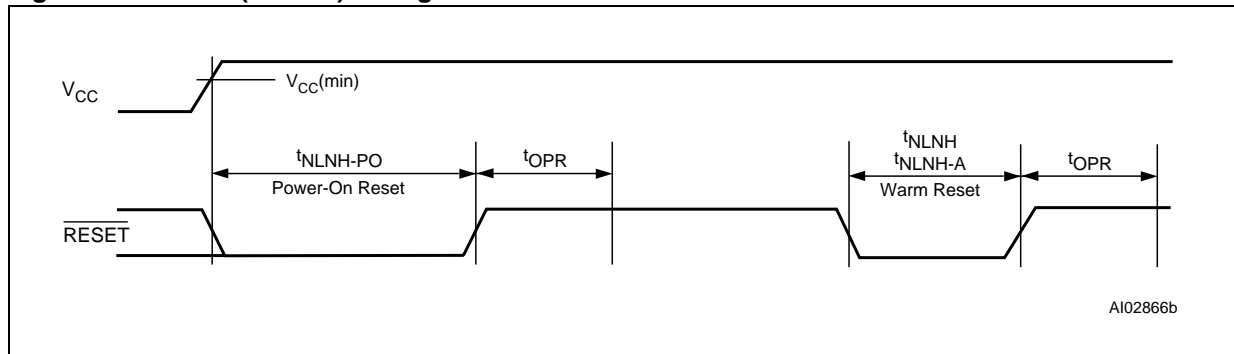


Table 68. Reset (\overline{RESET}) timing

Symbol	Parameter	Conditions	Min	Max	Unit
t_{NLNH}	RESET active low time ⁽¹⁾		150		ns
$t_{NLNH-PO}$	Power On Reset active low time		1		ms
t_{NLNH-A}	Warm reset ⁽²⁾		25		μs
t_{OPR}	RESET high to operational device			120	ns

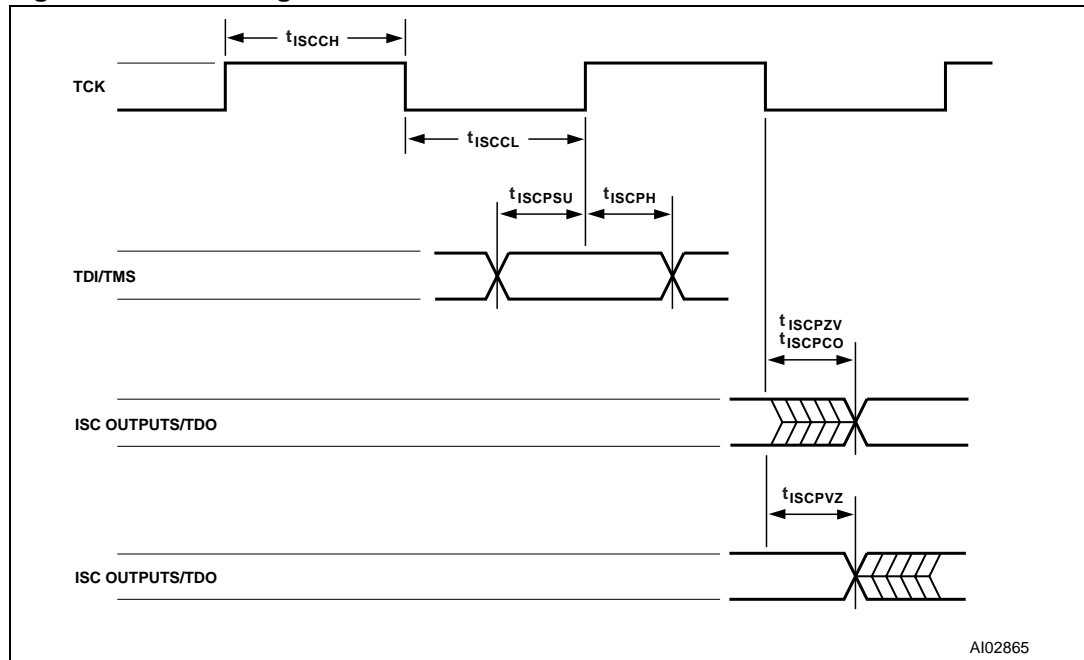
1. Reset (\overline{RESET}) does not reset Flash memory Program or Erase cycles.
2. Warm reset aborts Flash memory Program or Erase cycles, and puts the device in READ mode.

Table 69. V_{STBYON} timing

Symbol	Parameter	Conditions	Min	Typ	Max	Unit
t_{BVBH}	V _{STBY} detection to V _{STBYON} output high	(1)		20		μs
t_{BXBL}	V _{STBY} off detection to V _{STBYON} output low	(1)		20		μs

1. V_{STBYON} timing is measured at V_{CC} ramp rate of 2 ms.

Figure 48. ISC timing



AI02865

Table 70. ISC timing

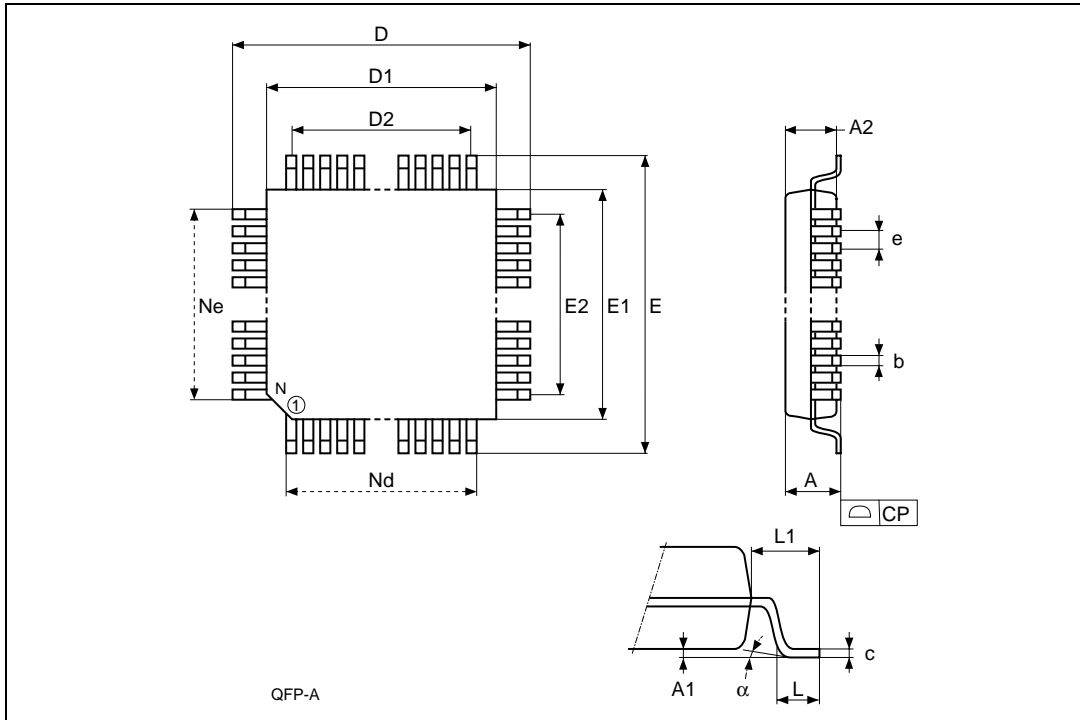
Symbol	Parameter	Conditions	-70		-90		Unit
			Min	Max	Min	Max	
t_{ISCCF}	Clock (TCK, PC1) Frequency (except for PLD)	(1)		20		18	MHz
t_{ISCCH}	Clock (TCK, PC1) High Time (except for PLD)	(1)	23		26		ns
t_{ISCCL}	Clock (TCK, PC1) Low Time (except for PLD)	(1)	23		26		ns
t_{ISCCFP}	Clock (TCK, PC1) Frequency (PLD only)	(2)		2		2	MHz
t_{ISCCHP}	Clock (TCK, PC1) High Time (PLD only)	(2)	240		240		ns
t_{ISCCLP}	Clock (TCK, PC1) Low Time (PLD only)	(2)	240		240		ns
t_{ISCPSU}	ISC Port Set Up Time		6		8		ns
t_{ISCPCO}	ISC Port Clock to Output			21		23	ns
t_{ISCPZH}	ISC Port High-Impedance to Valid Output			21		23	ns
t_{ISCPVZ}	ISC Port Valid Output to High-Impedance			21		23	ns

1. For non-PLD Programming, Erase or in ISC by-pass mode.
2. For Program or Erase PLD only.

24 Package mechanical

In order to meet environmental requirements, ST offers these devices in ECOPACK® packages. These packages have a Lead-free second level interconnect. The category of second level interconnect is marked on the package and on the inner box label, in compliance with JEDEC Standard JESD97. The maximum ratings related to soldering conditions are also marked on the inner box label. ECOPACK is an ST trademark. ECOPACK specifications are available at: <http://www.st.com>.

Figure 49. TQFP80 - 80 lead Thin, Quad, Flat package outline



1. Drawing is not to scale.

Table 71. TQFP80 - 80 lead Thin, Quad, Flat package mechanical data

Symbol	millimeters			inches		
	Typ	Min	Max	Typ	Min	Max
A			1.200			0.0472
A1		0.050	0.150		0.0020	0.0059
A2		0.950	1.050		0.0374	0.0413
b	0.220	0.170	0.270	0.0087	0.0067	0.0106
c		0.090	0.200		0.0035	0.0079
D	14.000			0.5512		
D1	12.000			0.4724		
D2	9.500	–	–	0.3740	–	–
E	14.000			0.5512		
E1	12.000			0.4724		
E2	9.500	–	–	0.3740	–	–
e	0.500	–	–	0.0197	–	–
L	0.600	0.450	0.750	0.0236	0.0177	0.0295
L1	1.000			0.0394		
CP	0.080			0.0031		
α	3.5°	0.0°	7.0°	3.5°	0.0°	7.0°
N	80			80		
Nd	20			20		
Ne	20			20		

25 Part numbering

Table 72. Ordering information scheme

Example:	PSD8	3	5	G	2	- 90	U	I	T
Device type	PSD8 = 8-bit PSD with Register Logic								
SRAM size	3 = 64 Kbit								
Flash memory size	5 = 4 Mbit (512 Kb x8)								
I/O count	G = 52 I/O								
2nd Flash memory	2 = 256 Kbit (32 Kb x8) Flash memory								
Operating voltage	blank = $V_{CC} = 4.5$ to 5.5 V $V^{(1)} = V_{CC} = 3.0$ to 3.6 V								
Speed	70 = 70 ns 90 = 90 ns								
Package	U = TQFP80								
Temperature range	blank = 0 to 70 °C (Commercial) I = -40 to 85 °C (Industrial)								
Shipping option	T = Tape & Reel Packing								

1. The 3.3 V ±10% devices are not covered by this datasheet, but by the PSD835G2V datasheet.

For a list of available options (e.g., Speed, Package) or for further information on any aspect of this device, please contact the ST Sales Office nearest to you.

Appendix A Pin assignments

Table 73. PSD835G2 TQFP80

Pin No.	Pin assignments	Pin No.	Pin assignments	Pin No.	Pin assignments	Pin No.	Pin assignments
1	PD2	21	PG0	41	PC0	61	PB0
2	PD3	22	PG1	42	PC1	62	PB1
3	AD0	23	PG2	43	PC2	63	PB2
4	AD1	24	PG3	44	PC3	64	PB3
5	AD2	25	PG4	45	PC4	65	PB4
6	AD3	26	PG5	46	PC5	66	PB5
7	AD4	27	PG6	47	PC6	67	PB6
8	GND	28	PG7	48	PC7	68	PB7
9	V _{CC}	29	V _{CC}	49	GND	69	V _{CC}
10	AD5	30	GND	50	GND	70	GND
11	AD6	31	PF0	51	PA0	71	PE0
12	AD7	32	PF1	52	PA1	72	PE1
13	AD8	33	PF2	53	PA2	73	PE2
14	AD9	34	PF3	54	PA3	74	PE3
15	AD10	35	PF4	55	PA4	75	PE4
16	AD11	36	PF5	56	PA5	76	PE5
17	AD12	37	PF6	57	PA6	77	PE6
18	AD13	38	PF7	58	PA7	78	PE7
19	AD14	39	RESET	59	CNTL0	79	PD0
20	AD15	40	CNTL2	60	CNTL1	80	PD1

26 Revision history

Table 74. Document revision history

Date	Version	Changes
01-Mar-2000	1.0	PSD835G2: Document written in the WSI format. Initial release.
30-Nov-2000	1.1	Turbo Off changed from +10 to +12 in Table 58, CPLD Combinatorial Timing, Table 59, CPLD Macrocell Synchronous Clock Mode Timing, Table 60, CPLD Macrocell Asynchronous Clock Mode Timing, Table 61, Input Macrocell Timing, Table 62, Read Timing, Table 64, Port F Peripheral Data Mode Read Timing. t_{CO} max for 70ns speed class changed from 13 to 15 in Table 59. t_{HA} min and t_{CLA} min for 70ns speed class changed from 5 to 7 and 9 to 12, respectively and t_{CLA} min for 90ns speed class changed from 12 to 15 in Table 60. t_{LXAX} min changed for 70ns speed class changed from 5 to 7 in Table 62. t_{LXAX} min changed for 70ns speed class changed from 5 to 7, t_{DVWH} min for 70ns speed class changed from 12 to 25, t_{WLWH} min for 70ns speed class changed from 25 to 28 in Table 63.
31-Jan-2002	1.2	PSD835G2: Configurable Memory System on a Chip for 8-bit Microcontrollers. Front page and back two pages in ST format added to the PDF file. Any references to Waferscale, WSI, EasyFLASH and PSDsoft 2000 updated to ST, ST, Flash+PSD and PSDsoft.
11-Sep-2002	2.0	Document reformatted. No parameters changed.
03-Mar-04	3.0	Document reformatted; mechanical dimensions corrected (Table 71)
24-Apr-2007	4	Document reformatted. Notes modified below Table 24: VM Register . T_{LEAD} removed from Table 51: Absolute maximum ratings , Note 1 modified. Packages are ECOPACK® compliant.

Please Read Carefully:

Information in this document is provided solely in connection with ST products. STMicroelectronics NV and its subsidiaries ("ST") reserve the right to make changes, corrections, modifications or improvements, to this document, and the products and services described herein at any time, without notice.

All ST products are sold pursuant to ST's terms and conditions of sale.

Purchasers are solely responsible for the choice, selection and use of the ST products and services described herein, and ST assumes no liability whatsoever relating to the choice, selection or use of the ST products and services described herein.

No license, express or implied, by estoppel or otherwise, to any intellectual property rights is granted under this document. If any part of this document refers to any third party products or services it shall not be deemed a license grant by ST for the use of such third party products or services, or any intellectual property contained therein or considered as a warranty covering the use in any manner whatsoever of such third party products or services or any intellectual property contained therein.

UNLESS OTHERWISE SET FORTH IN ST'S TERMS AND CONDITIONS OF SALE ST DISCLAIMS ANY EXPRESS OR IMPLIED WARRANTY WITH RESPECT TO THE USE AND/OR SALE OF ST PRODUCTS INCLUDING WITHOUT LIMITATION IMPLIED WARRANTIES OF MERCHANTABILITY, FITNESS FOR A PARTICULAR PURPOSE (AND THEIR EQUIVALENTS UNDER THE LAWS OF ANY JURISDICTION), OR INFRINGEMENT OF ANY PATENT, COPYRIGHT OR OTHER INTELLECTUAL PROPERTY RIGHT.

UNLESS EXPRESSLY APPROVED IN WRITING BY AN AUTHORIZED ST REPRESENTATIVE, ST PRODUCTS ARE NOT RECOMMENDED, AUTHORIZED OR WARRANTED FOR USE IN MILITARY, AIR CRAFT, SPACE, LIFE SAVING, OR LIFE SUSTAINING APPLICATIONS, NOR IN PRODUCTS OR SYSTEMS WHERE FAILURE OR MALFUNCTION MAY RESULT IN PERSONAL INJURY, DEATH, OR SEVERE PROPERTY OR ENVIRONMENTAL DAMAGE. ST PRODUCTS WHICH ARE NOT SPECIFIED AS "AUTOMOTIVE GRADE" MAY ONLY BE USED IN AUTOMOTIVE APPLICATIONS AT USER'S OWN RISK.

Resale of ST products with provisions different from the statements and/or technical features set forth in this document shall immediately void any warranty granted by ST for the ST product or service described herein and shall not create or extend in any manner whatsoever, any liability of ST.

ST and the ST logo are trademarks or registered trademarks of ST in various countries.

Information in this document supersedes and replaces all information previously supplied.

The ST logo is a registered trademark of STMicroelectronics. All other names are the property of their respective owners.

© 2007 STMicroelectronics - All rights reserved

STMicroelectronics group of companies

Australia - Belgium - Brazil - Canada - China - Czech Republic - Finland - France - Germany - Hong Kong - India - Israel - Italy - Japan - Malaysia - Malta - Morocco - Singapore - Spain - Sweden - Switzerland - United Kingdom - United States of America

www.st.com